



Der Wert liegt im Detail.
Le sens du détail.



PATENTED

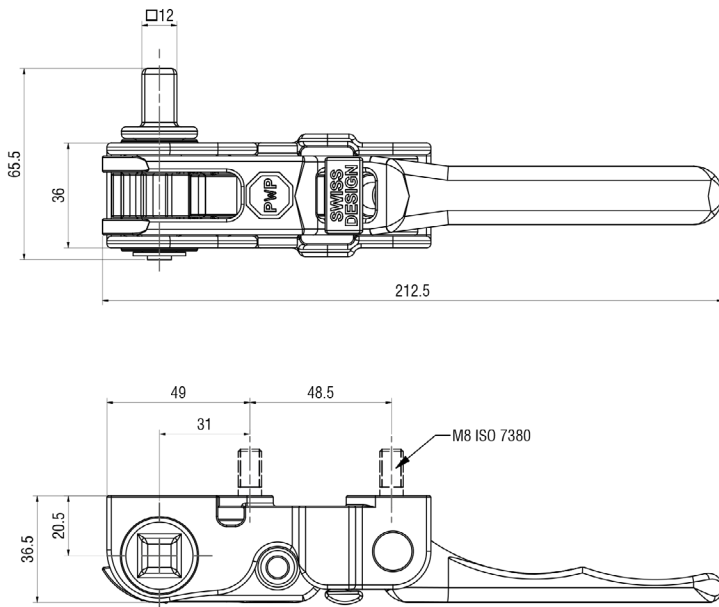
PWP MINI-TENDER

Characteristics :

- **Designed for light-duty vehicles and to be mounted on the front wall**
- Hot-dip galvanized surface according to **EN ISO 1461/C3** and stainless steel parts
- Fog resistance, salt test **720h**
- Possible curtain configuration with tarp
- **Compact** dimensions
- Single-hand operation
- **Optimal** tarp tension in three notching positions (twelve notch gear)
- Stainless steel wear parts
- Low maintenance thanks to polyamide pads
- **Complies with customs requirements**
- Recommendation: 2x screw M8-8.8 cylindrical head, low head according to **DIN 7984**
- **Patented**

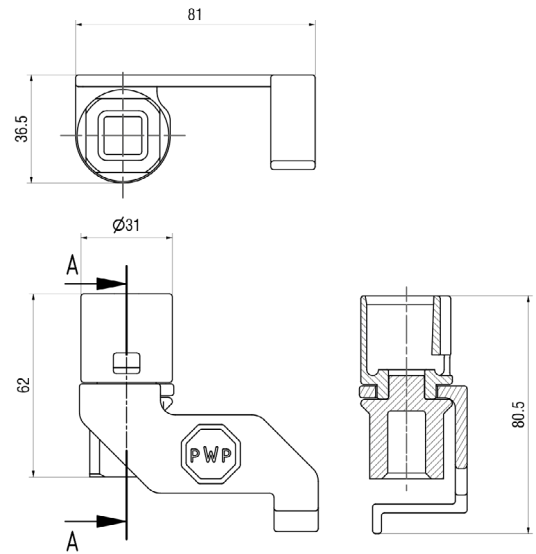


Der Wert liegt im Detail.
Le sens du détail.



Adapter TIR

Square tip



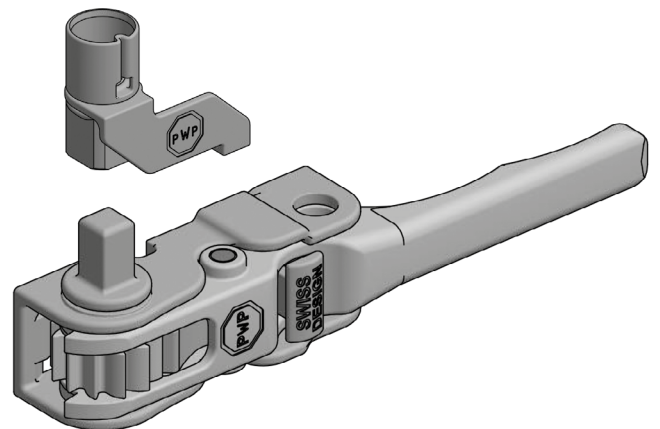
Square

| | kg | Art-Nr |
|-------|-------|-----------|
| left | 0.879 | 2 200 013 |
| right | 0.879 | 2 200 014 |

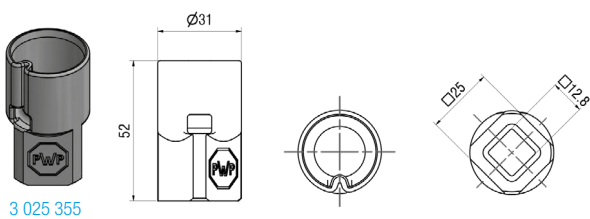
Adapter TIR

| | kg | Art-Nr |
|-------|-------|---------------|
| left | 0.264 | 3 025 353 TIR |
| right | 0.264 | 3 025 354 TIR |

Square tip



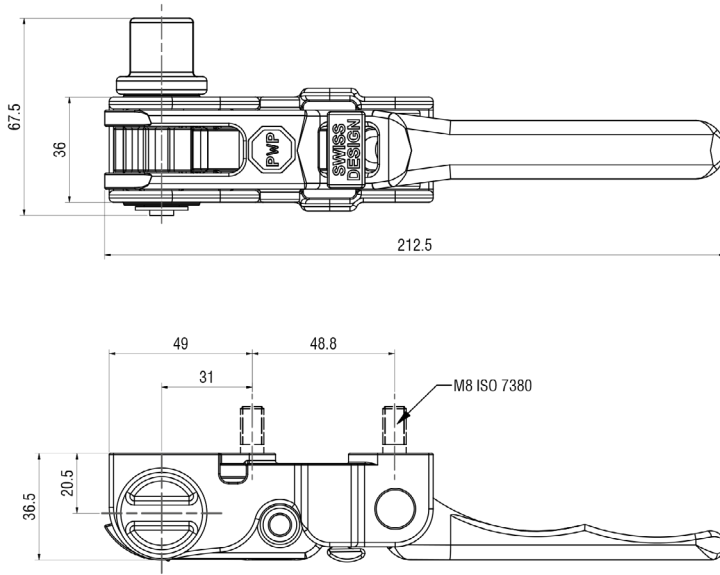
Standard Adapter



3 025 355

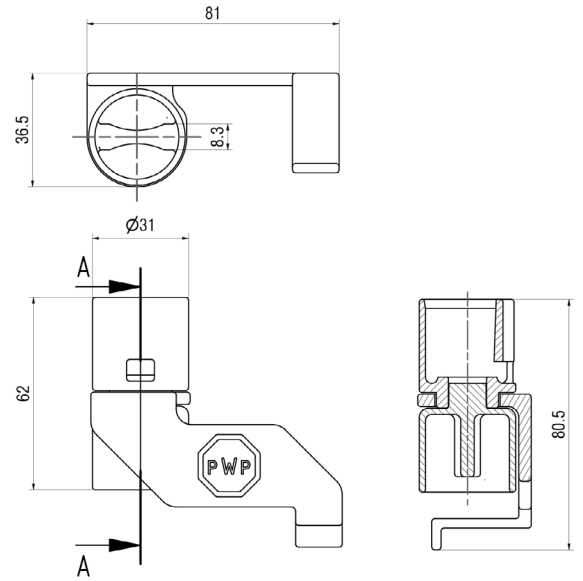


Der Wert liegt im Detail.
Le sens du détail.



Adapter TIR

Grooved tip



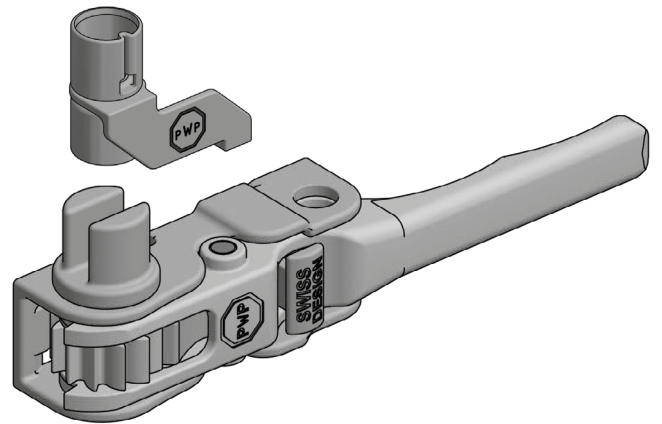
Grooved

| | kg | Art-Nr |
|-------|-------|-----------|
| left | 0.919 | 2 200 113 |
| right | 0.919 | 2 200 114 |

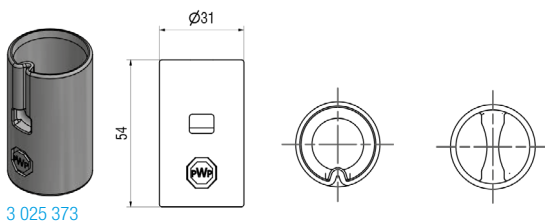
Adapter / Adaptateur TIR

| | kg | Art-Nr |
|-------|-------|---------------|
| right | 0.237 | 3 025 374 TIR |
| left | 0.237 | 3 025 375 TIR |

Grooved tip



Standard Adapter



Check with our sales team:
+41 (0)26 662 71 11 - vente@pwp-sa.ch



PWP SA · Route de Neuchâtel 10 · CH-1530 Payerne

SWISS DESIGN
www.pwp-sa.ch

© 2022 PWP SA Technische Änderungen und Irrtümer vorbehalten / Sous réserve de modifications et d'erreurs