

Kinnegrip.

SAFETY ON THE ROAD

Product Catalog

Locking and safety solutions for transportation of goods

Ver 2023.3 En



K20 Dropside lock pillar

Dropside locks for heavy vehicles

COMPANY

Kinnegrip

Kinnegrip, a Swedish company established in 1966, that develops, manufactures and markets locking and safety solutions for commercial vehicles. We have a long experience in developing and producing user friendly and safe solutions for transportation of goods.

Our head office and production is located in LIDKÖPING, Sweden with local sales offices in Germany and Italy. We have a well-established network of distributors in Europe and Asia. 95% of our business is exported.

Our technical expertise, long experience and flexible production enables us to provide our customers with standardized as well as customized solutions to fit their needs. Our production takes place in-house, using the latest production techniques. All to ensure that our customers receive products of the highest quality standards and performance.

With Kinnegrip as your supplier, you get a committed partner and user friendly and high quality products.

Read more at www.kinnegrip.se



Our solutions

Kinnegrip offers locking and safety solutions in steel and aluminium for commercial vehicles, with the end user in focus.

- K pillars**
Dropside and pendulum pillar systems for medium and heavy commercial vehicles.
- T50**
Dropside lock systems for light commercial vehicles.
- C10 pillars**
Pillars for Curtainsider.

CONTENTS

Company	2
K20 Dropside lock	4
K20 Product data	6
400 mm	8
500 mm	10
600 mm	12
800 mm	16
1000 mm	24
1100 mm	28
1200 mm	32
Chain attachment	36
Accessories	38
Dropside catch	38
Support	40
Top cover	42
Aluminium profile	42
Kinnetop Extension	43
Kinnetop	44
Reservdelar	46
Mechanism side and rear pillar	48
Mechanism Front pillar	50
Material	51
Contact	52

Our ambition - safe locking solutions with the end user in focus

KINNEGRIP

K20 Dropside lock

K20 is a state of the art locking system for flatbed constructions consisting of dropside locks for medium and heavy commercial vehicles.

K20 is a user friendly and flexible locking system available in different heights and configurations. Designed for dropside heights from 400 mm, available in ED-coated or galvanized steel and aluminium.

The K20 pillar is a user friendly and safe solution, mounted on the side rail of the flatbed. The pillar, which has a built in safety solution, folds down easily to hang in the support during loading and unloading. This gives an open and easily accessible load area with focus on good functionality, high level of personal safety and easy handling.

- Available in steel and aluminium
- Standardized and customized solutions
- User friendly with high safety standard
- Provides accessible loading area



Functionality

K20 dropside lock is designed for flatbeds with external mounted dropside panels. The pillar is locked in the pillar support mounted onto the side rail of the flatbed. In the pillar there are rule rods which in a locked position are fixed in a dropside catch. The dropside catch is mounted onto the flatbed dropside. When the pillar handle is opened, the rule rod moves down enabling the dropside to be folded down.

To release the pillar from the pillar support, push both handles down to the end position, which releases the wedge which is engaged in the support. The pillar can then be folded out and either hung down or released to give a completely open load area.

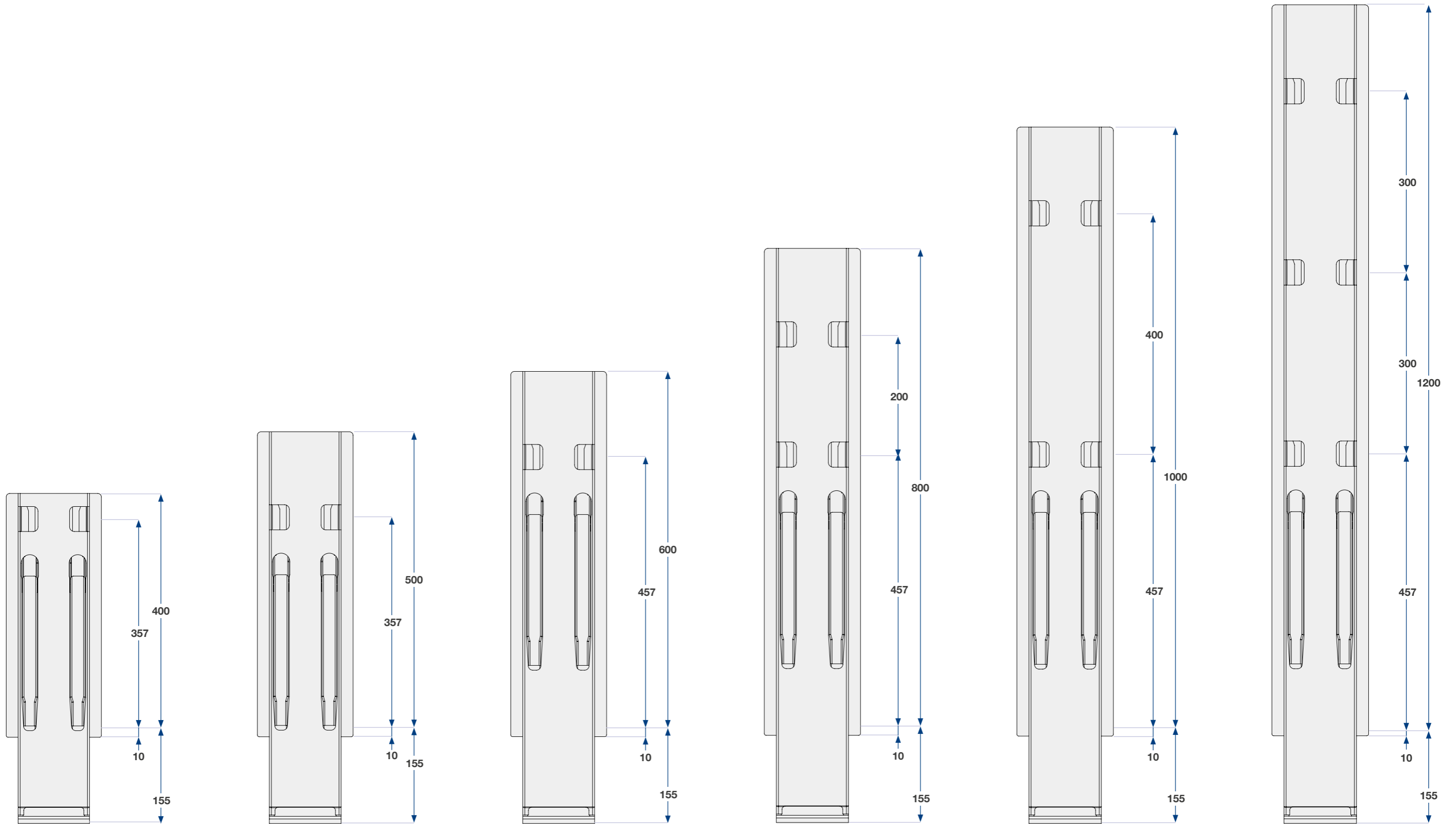


Design and safety

The pillar is fitted with a load indicator that prevents unintentional or risky operation. The load indicator indicates when there is a pressure on the inside of the dropside panel due to load displacement.

As a safety for the user, both handles must be pushed down to the end position in order to release.

K20 Dropside lock overveiw



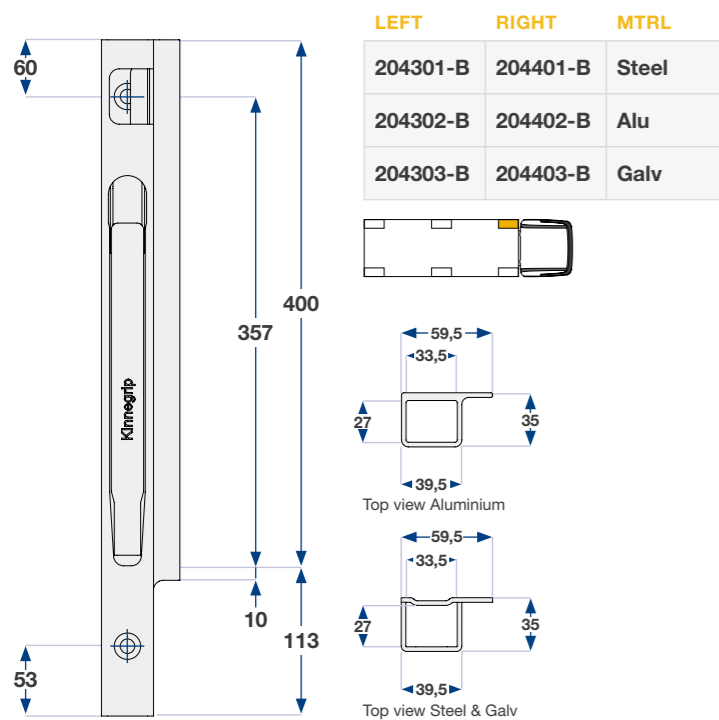
Product data

400 mm

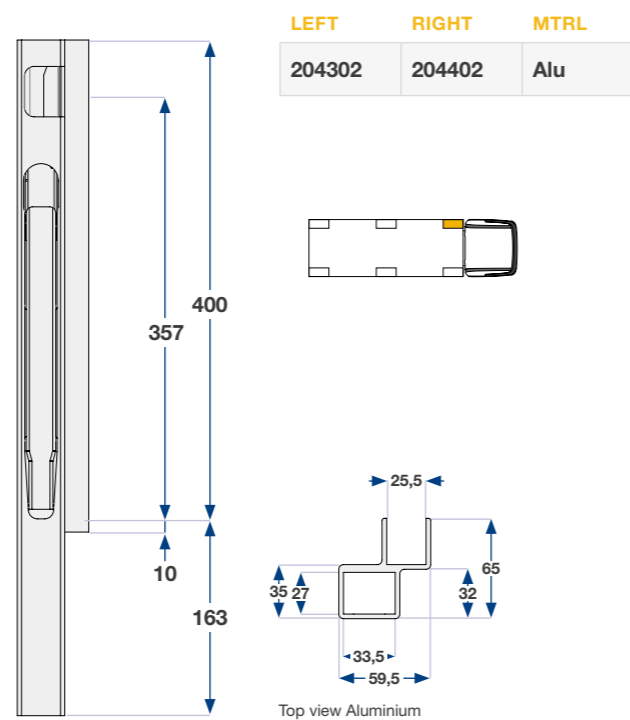
PART NO. STEEL	ALU	GALV	DESCRIPTION	WEIGHT STEEL/GALV	WEIGHT ALU
204301-B	204302-B	204303-B	K20 Front pillar 400 Screwable left	2,40 kg	1,70 kg
204401-B	204402-B	204403-B	K20 Front pillar 400 Screwable right	2,40 kg	1,70 kg
	204302		K20 Front pillar 400 left Aluminium		1,70 kg
	204402		K20 Front pillar 400 right Aluminium		1,70 kg
204201	204202	204203	K20 Side pillar 400	7,10 kg	4,70 kg
204701	204702	204703	K20 Rear pillar 400 BBE left	6,90 kg	4,60 kg
204801	204802	204803	K20 Rear pillar 400 BBE right	6,90 kg	4,60 kg
204901	204902	204903	K20 Rear pillar 400 BBD left	6,90 kg	4,60 kg
204001	204002	204003	K20 Rear pillar 400 BBD right	6,90 kg	4,60 kg

All dropside locks are shown in the left version. BBE wide rear single port. BBD wide rear double port. Hot dip galvanized according to ZINQ method. Customization on request.

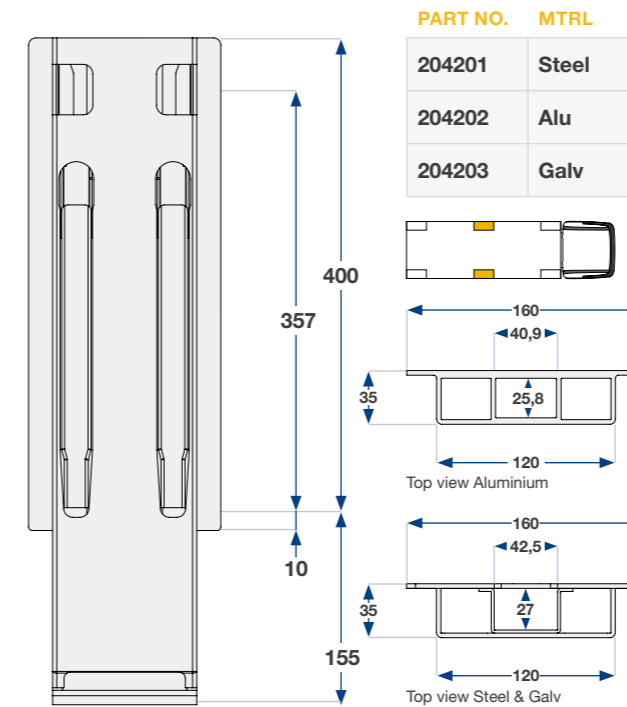
FRONT PILLAR 400 MM SCREWABLE



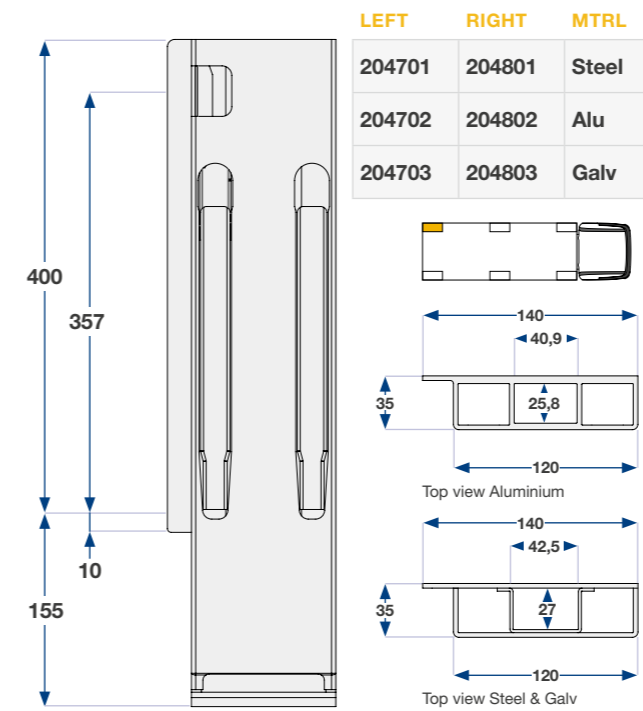
FRONT PILLAR 400 MM



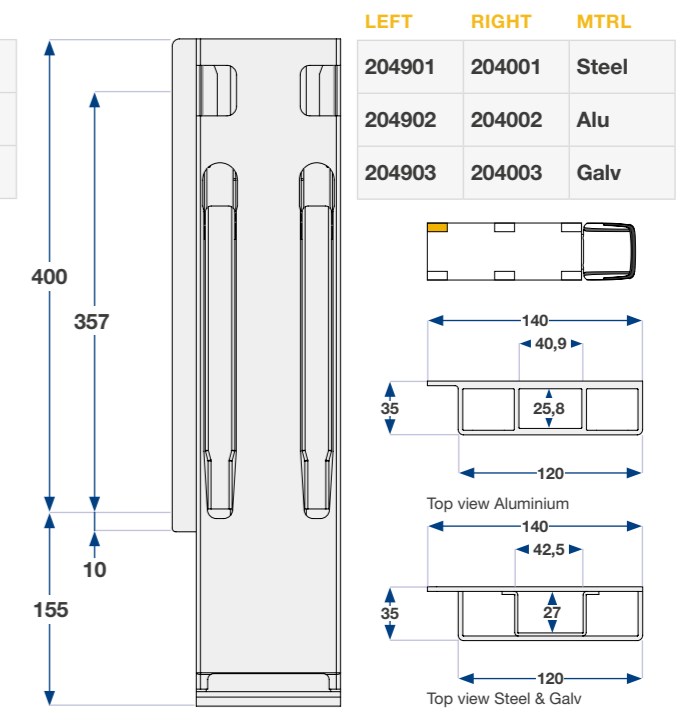
SIDE PILLAR 400 MM



REAR PILLAR 400 MM BBE



REAR PILLAR 400 MM BBD

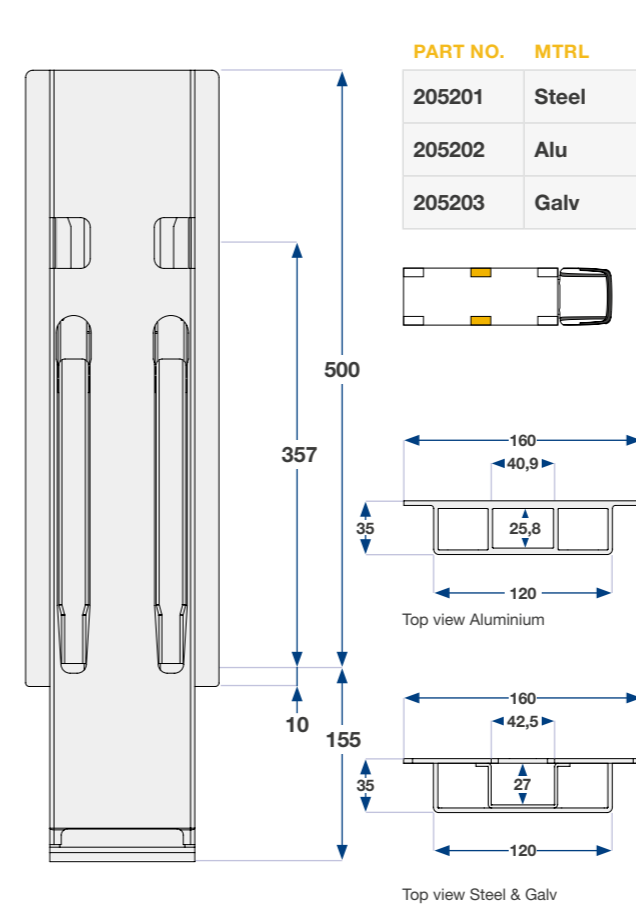


500 mm

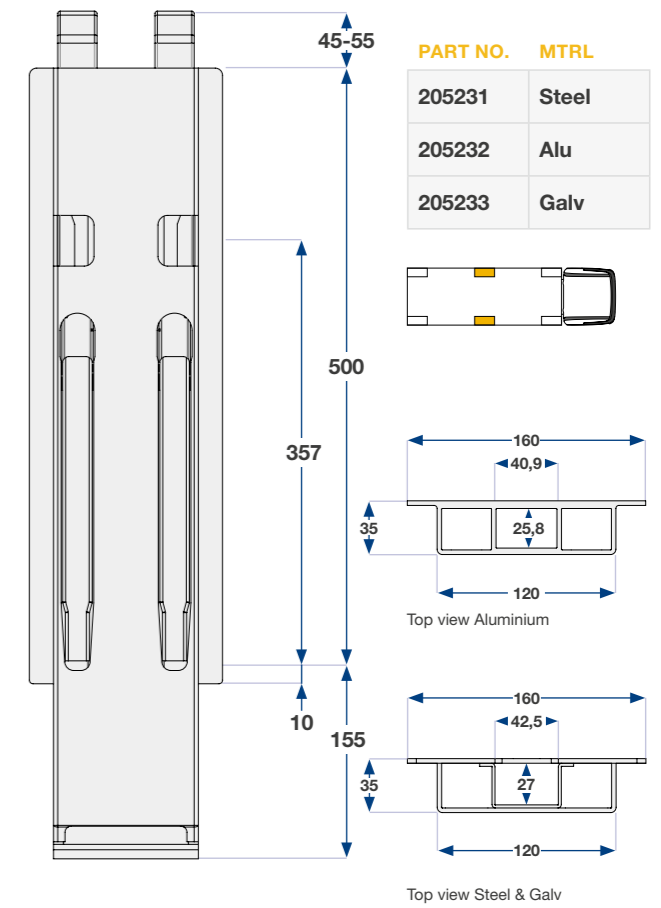
PART NO. STEEL	ALU	GALV	DESCRIPTION	WEIGHT STEEL/GALV	WEIGHT ALU
205301-B	205302-B	205303-B	K20 Front pillar 500 Screwable left	2,80 kg	1,90 kg
205401-B	205402-B	205403-B	K20 Front pillar 500 Screwable right	2,80 kg	1,90 kg
	205302		K20 Front pillar 500 left Aluminium		1,90 kg
	205402		K20 Front pillar 500 right Aluminium		1,90 kg
205201	205202	205203	K20 Side pillar 500	8,00 kg	4,90 kg
205231	205232	205233	K20 Side pillar 500 Kinnetop	8,20 kg	5,00 kg
205701	205702	205703	K20 Rear pillar 500 BBE left	7,80 kg	4,60 kg
205801	205802	205803	K20 Rear pillar 500 BBE right	7,80 kg	4,60 kg
205901	205902	205903	K20 Rear pillar 500 BBD left	7,80 kg	4,60 kg
205001	205002	205003	K20 Rear pillar 500 BBD right	7,80 kg	4,60 kg

All dropside locks are shown in the left version. BBE wide rear single port. BBD wide rear double port. Hot dip galvanized according to ZINQ method. Customization on request.

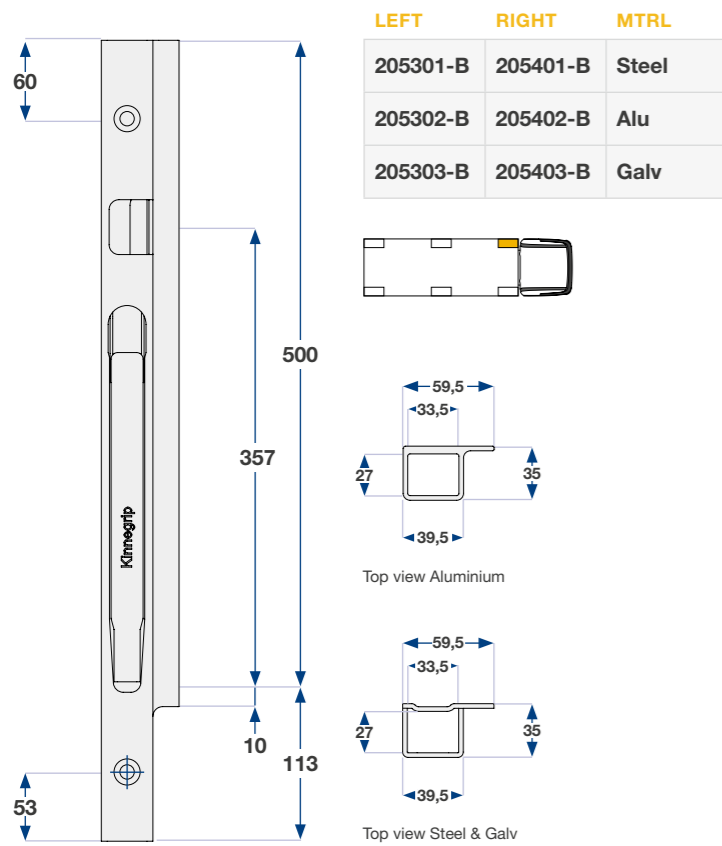
SIDE PILLAR 500



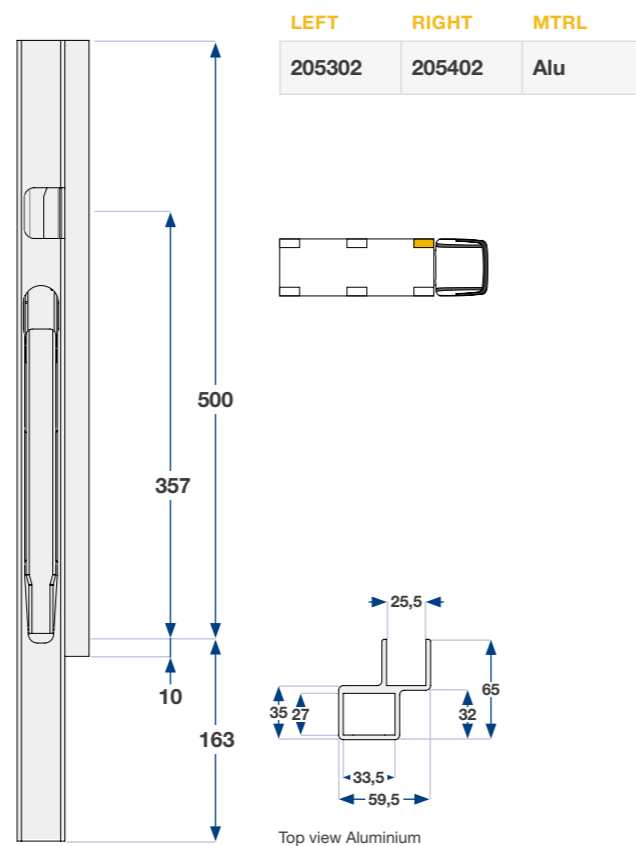
SIDE PILLAR 500 MM KINNETOP



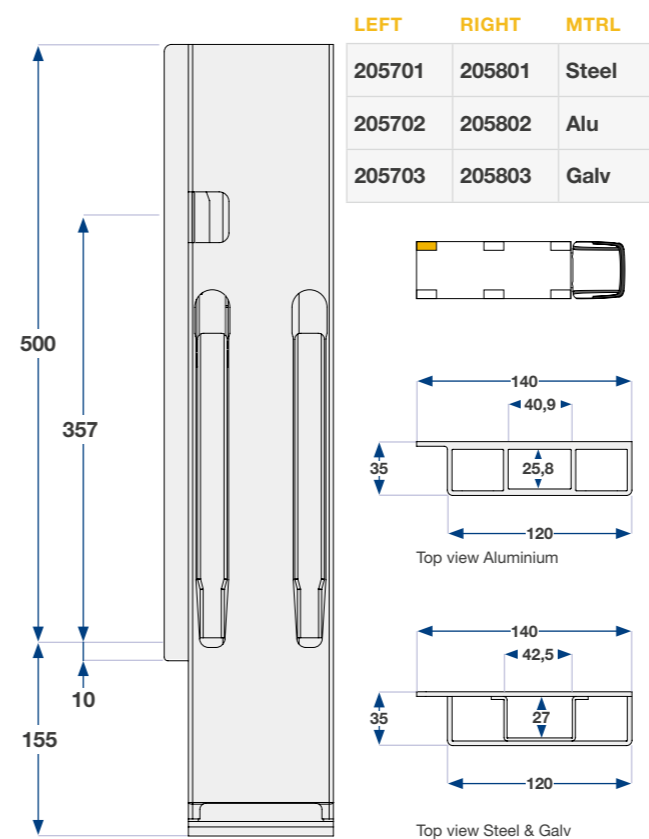
FRONT PILLAR 500 MM SCREWABLE



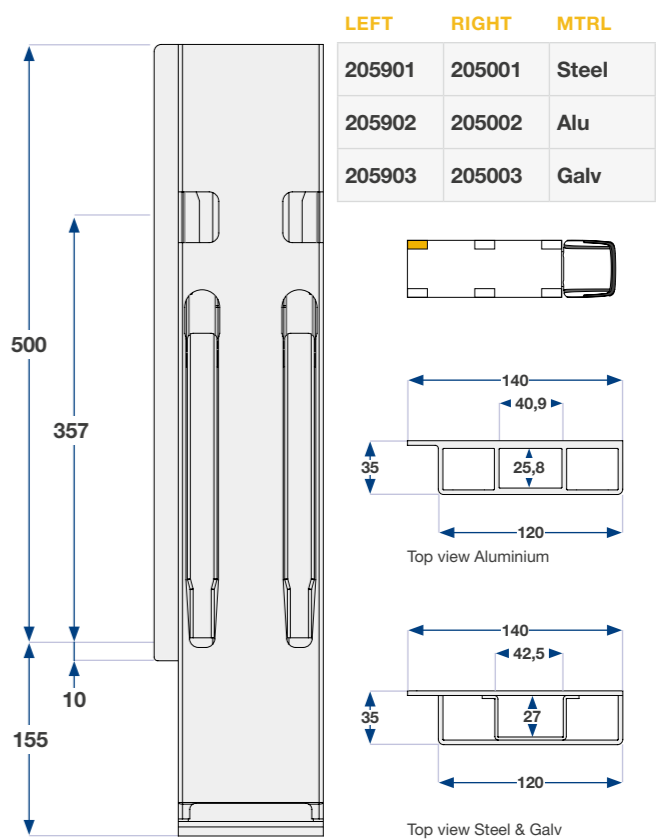
FRONT PILLAR 500 MM



REAR PILLAR 500 MM BBE



REAR PILLAR 500 MM BBD

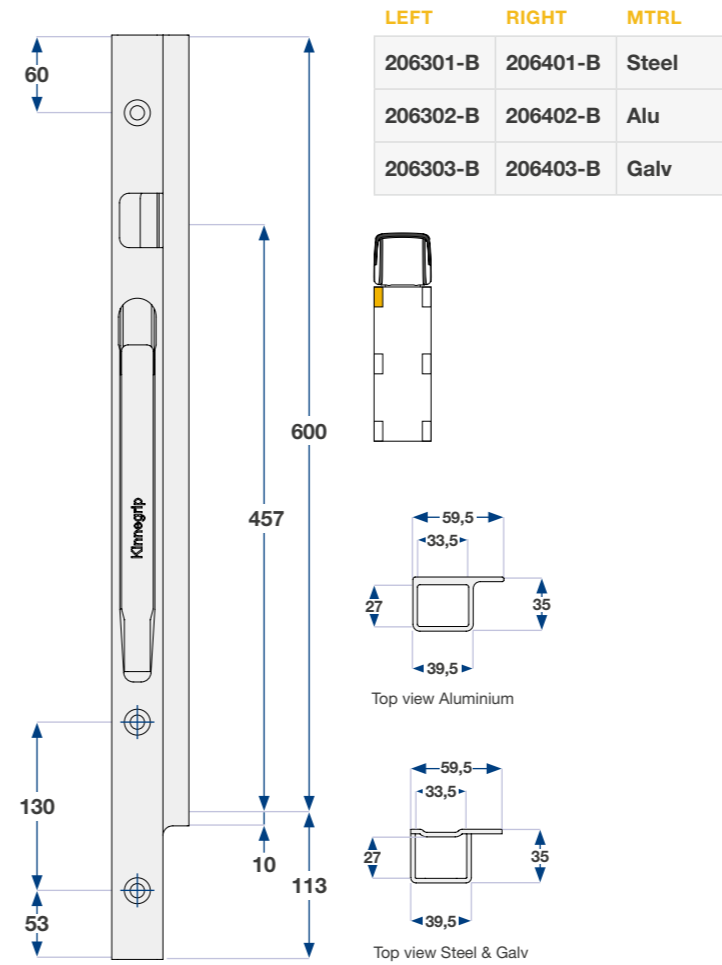


600 mm

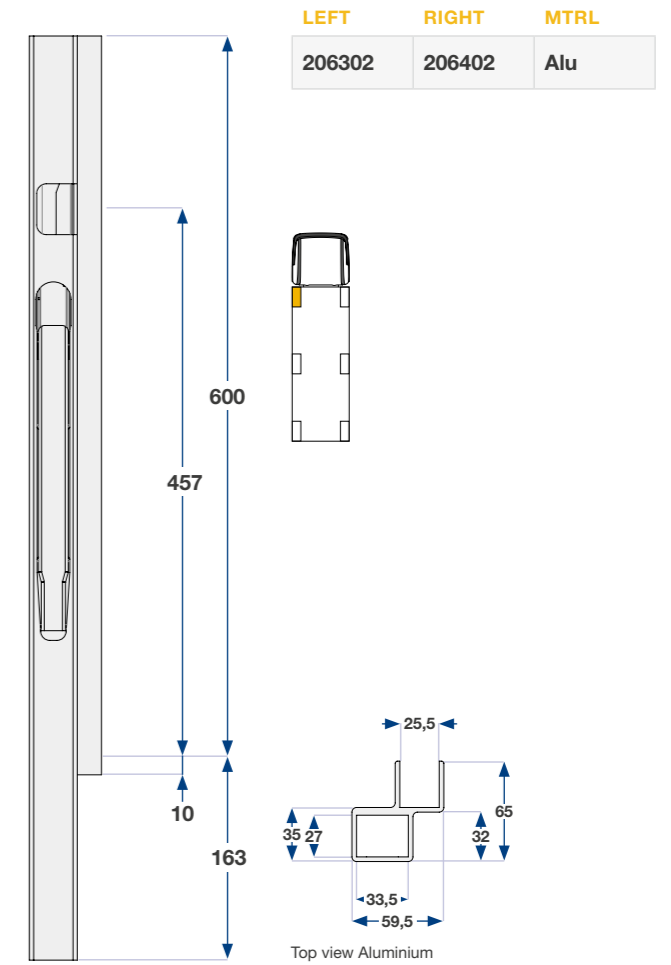
PART NO.	MATERIAL		DESCRIPTION	WEIGHT	
	STEEL	ALU		STEEL/GALV	ALU
206301-B	206302-B	206303-B	K20 Front pillar 600 Screwable left	3,10 kg	2,10 kg
206401-B	206402-B	206403-B	K20 Front pillar 600 Screwable right	3,10 kg	2,10 kg
	206302		K20 Front pillar 600 left Aluminium		2,10 kg
	206402		K20 Front pillar 600 right Aluminium		2,10 kg
206201	206202	206203	K20 Side pillar 600	9,20 kg	5,20 kg
206231	206232	206233	K20 Side pillar 600 Kinnetop	9,40 kg	5,30 kg
	206232-SPEC		K20 Side pillar 600 Kinnetop no closure		5,60 kg
206701	206702	206703	K20 Rear pillar 600 BBE left	9,00 kg	5,10 kg
206801	206802	206803	K20 Rear pillar 600 BBE right	9,00 kg	5,10 kg
206901	206902	206903	K20 Rear pillar 600 BBD left	9,00 kg	5,10 kg
206001	206002	206003	K20 Rear pillar 600 BBD right	9,00 kg	4,50 kg

All dropside locks are shown in the left version. BBE wide rear single port. BBD wide rear double port. Hot dip galvanized according to ZINQ method. Customization on request.

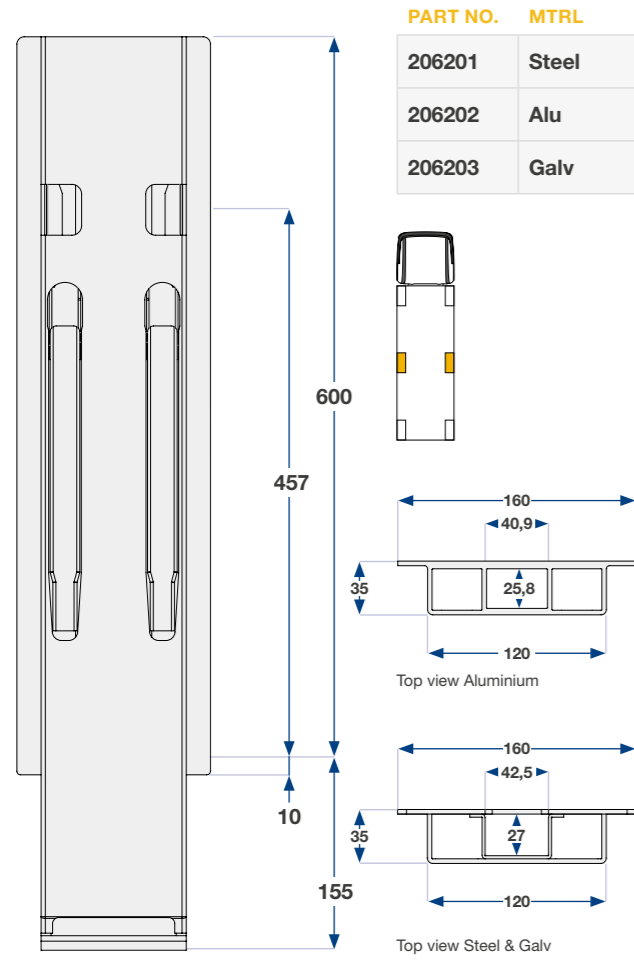
FRONT PILLAR 600 MM SCREWABLE



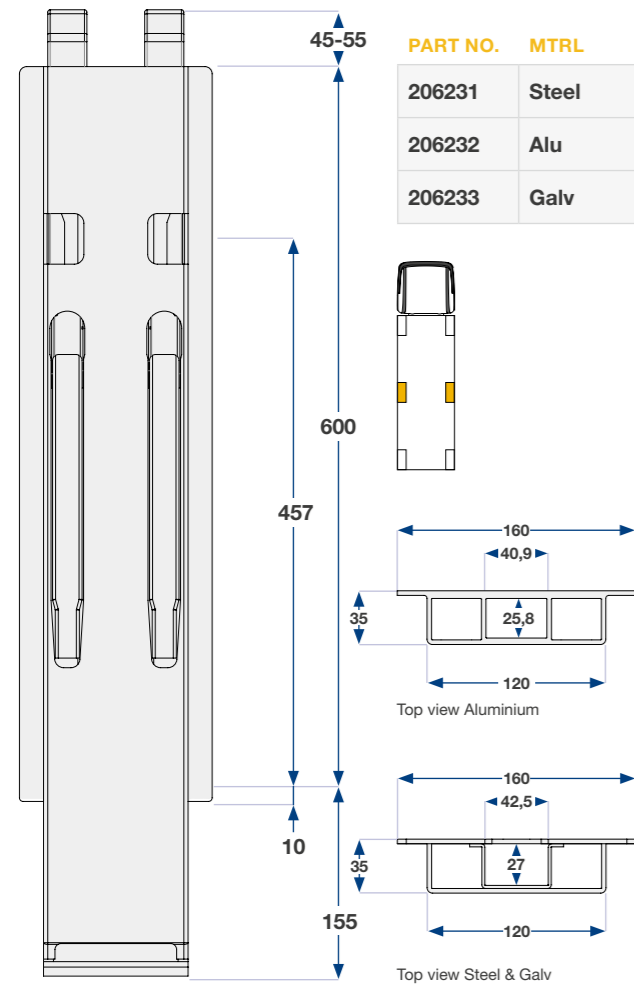
FRONT PILLAR 600 MM



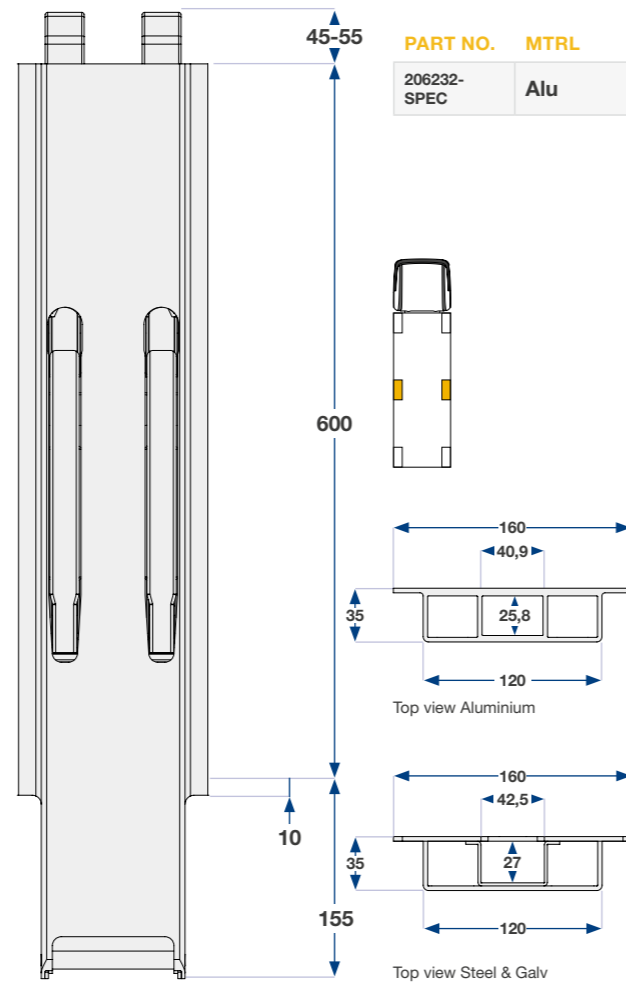
SIDE PILLAR 600



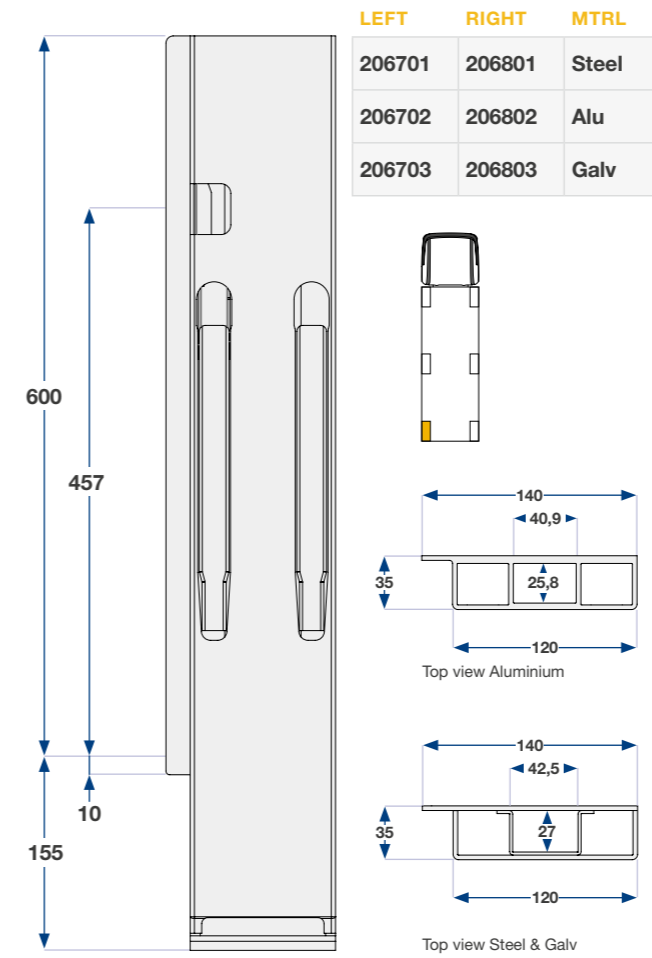
SIDE PILLAR 600 MM KINNETOP



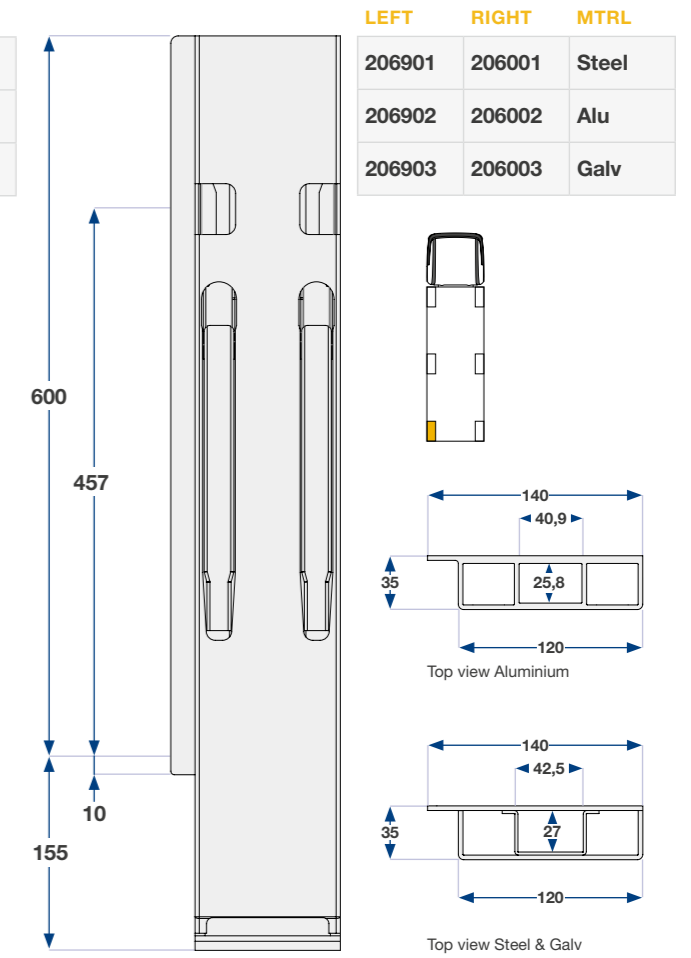
SIDE PILLAR 600 MM KINNETOP NO CLOSURE



REAR PILLAR 600 MM BBE



REAR PILLAR 600 MM BBD

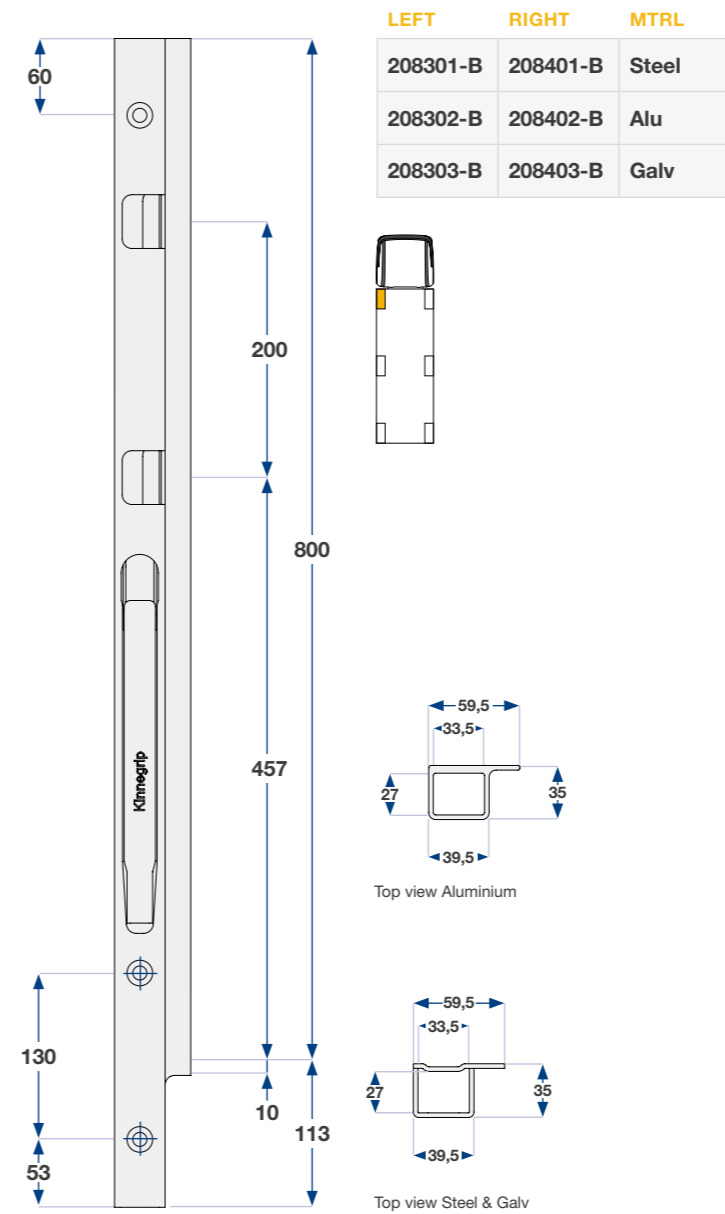


800 mm

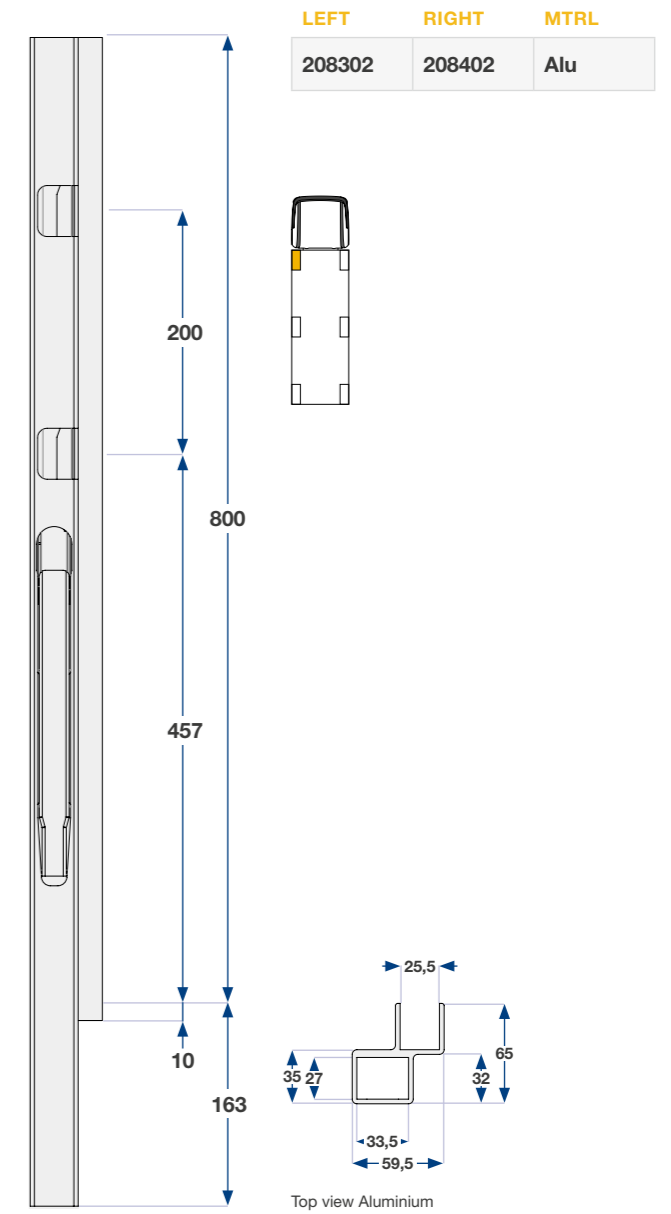
PART NO.	STEEL		DESCRIPTION	WEIGHT STEEL/GALV	WEIGHT ALU
	ALU	GALV			
208301-B	208302-B	208303-B	K20 Front pillar 800 Screwable left	4,00 kg	2,50 kg
208401-B	208402-B	208403-B	K20 Front pillar 800 Screwable right	4,00 kg	2,50 kg
	208302		K20 Front pillar 800 left Aluminium		2,50 kg
	208402		K20 Front pillar 800 right Aluminium		2,50 kg
208201	208202	208203	K20 Side pillar 800	12,00 kg	6,30 kg
208231	208232	208233	K20 Side pillar 800 Kinnetop	12,20 kg	6,40 kg
208701	208702	208703	K20 Rear pillar 800 BBE left	11,80 kg	6,30 kg
208801	208802	208803	K20 Rear pillar 800 BBE right	11,80 kg	6,30 kg
208901	208902	208903	K20 Rear pillar 800 BBD left	11,80 kg	6,30 kg
208001	208002	208003	K20 Rear pillar 800 BBD right	11,80 kg	6,30 kg
208341-B	208342-B	208343-B	K20 Front pillar 800 Screwable left TIR	4,00 kg	2,50 kg
208441-B	208442-B	208443-B	K20 Front pillar 800 Screwable right TIR	4,00 kg	2,50 kg
	208342		K20 Front pillar 800 left TIR Aluminium		2,50 kg
	208442		K20 Front pillar 800 right TIR Aluminium		2,50 kg
208241	208242	208243	K20 Side pillar 800 TIR Aluminium	12,00 kg	6,30 kg
208251	208252	208253	K20 Side pillar 800 Kinnetop TIR Aluminium	12,20 kg	6,40 kg
208741	208742	208743	K20 Rear pillar 800 BBE left TIR Aluminium	11,80 kg	6,20 kg
208841	208842	208843	K20 Rear pillar 800 BBE right TIR Aluminium	11,80 kg	6,20 kg
208941	208942	208943	K20 Rear pillar 800 BBD left TIR Aluminium	11,80 kg	6,20 kg
208041	208042	208043	K20 Rear pillar 800 BBD right TIR Aluminium	11,80 kg	6,20 kg

All dropside locks are shown in the left version. BBE wide rear single port. BBD wide rear double port. Hot dip galvanized according to ZINQ method. TIR - enables sealing of cargo. Chain attachment is standard on side pillar in steel version for 800-1200 mm. For more info see page 34. Customization on request.

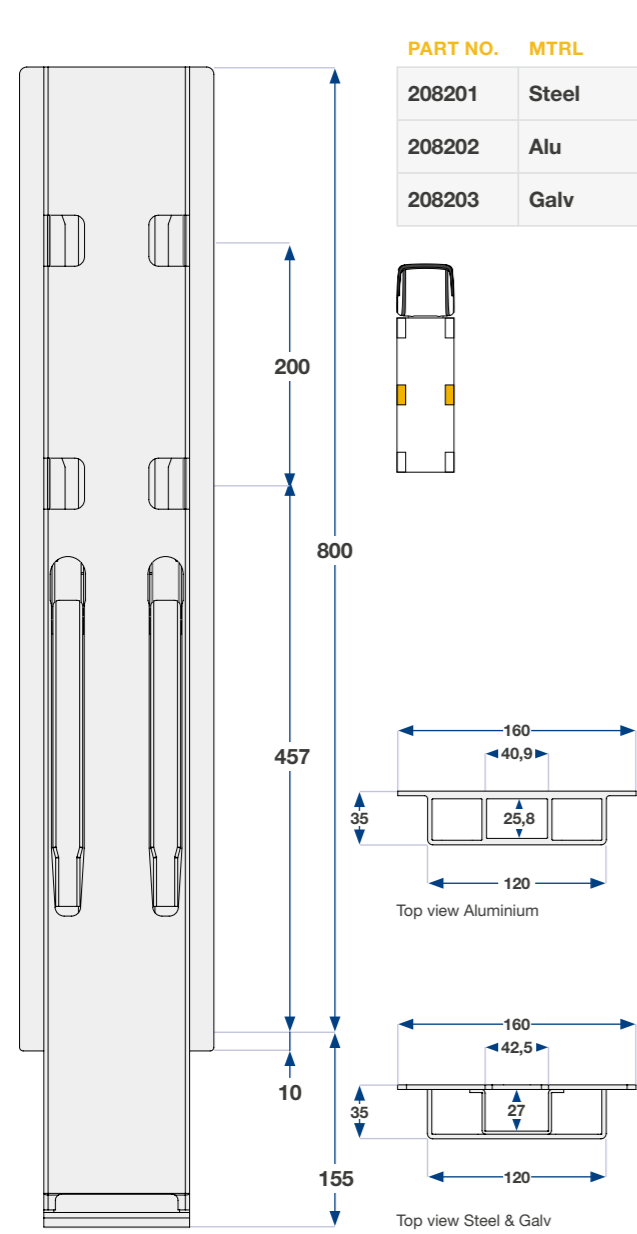
FRONT PILLAR 800 MM SCREWABLE



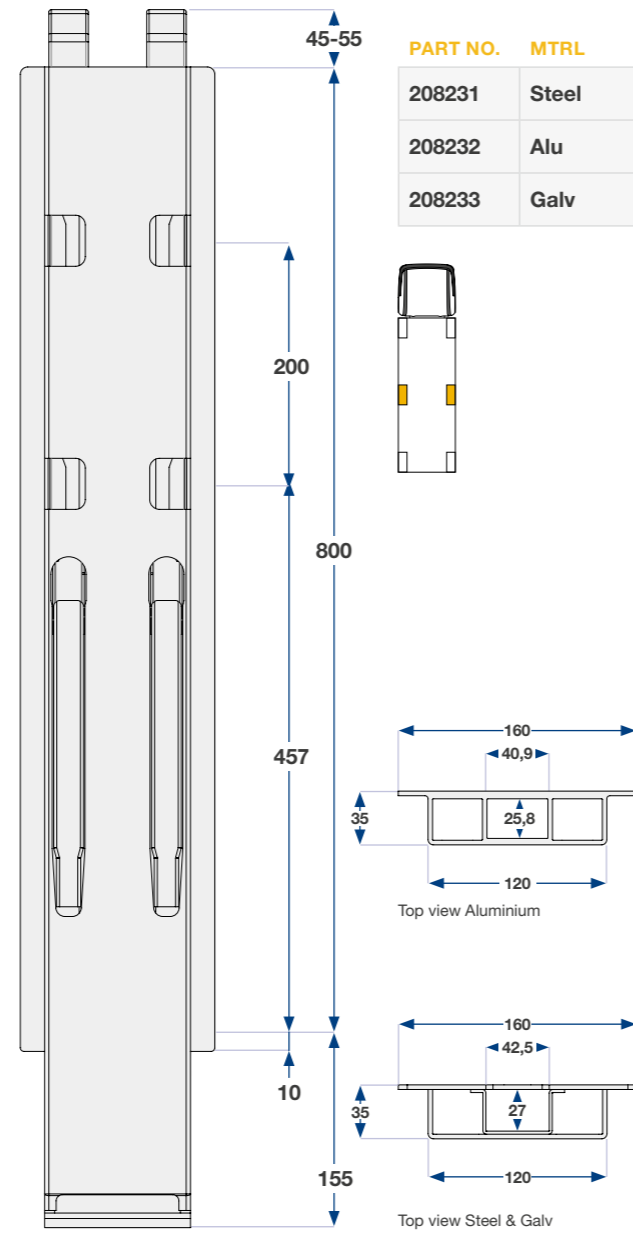
FRONT PILLAR 800 MM



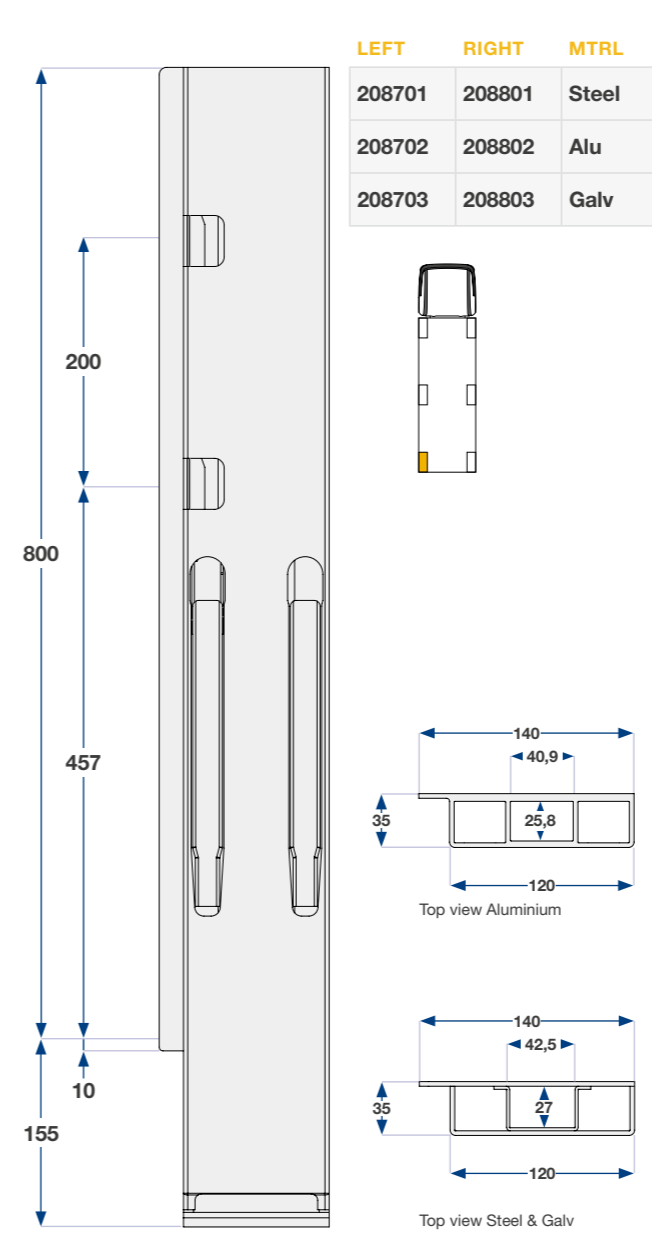
SIDE PILLAR 800



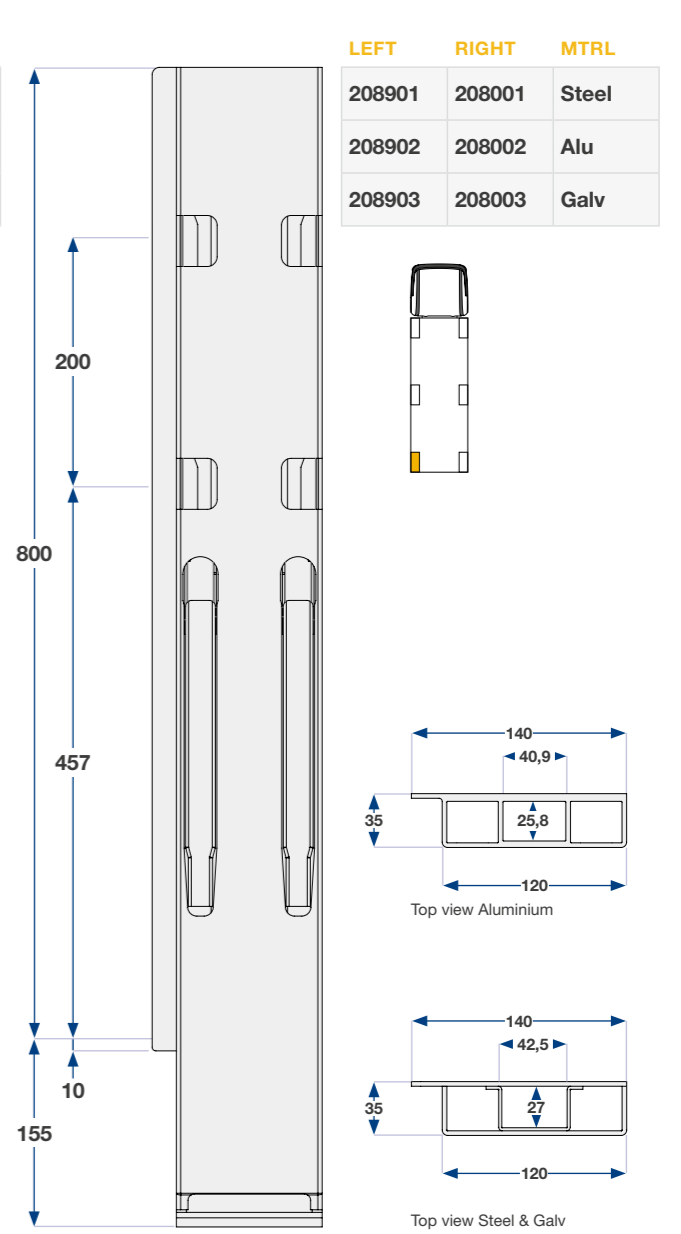
SIDE PILLAR 800 MM KINNETOP



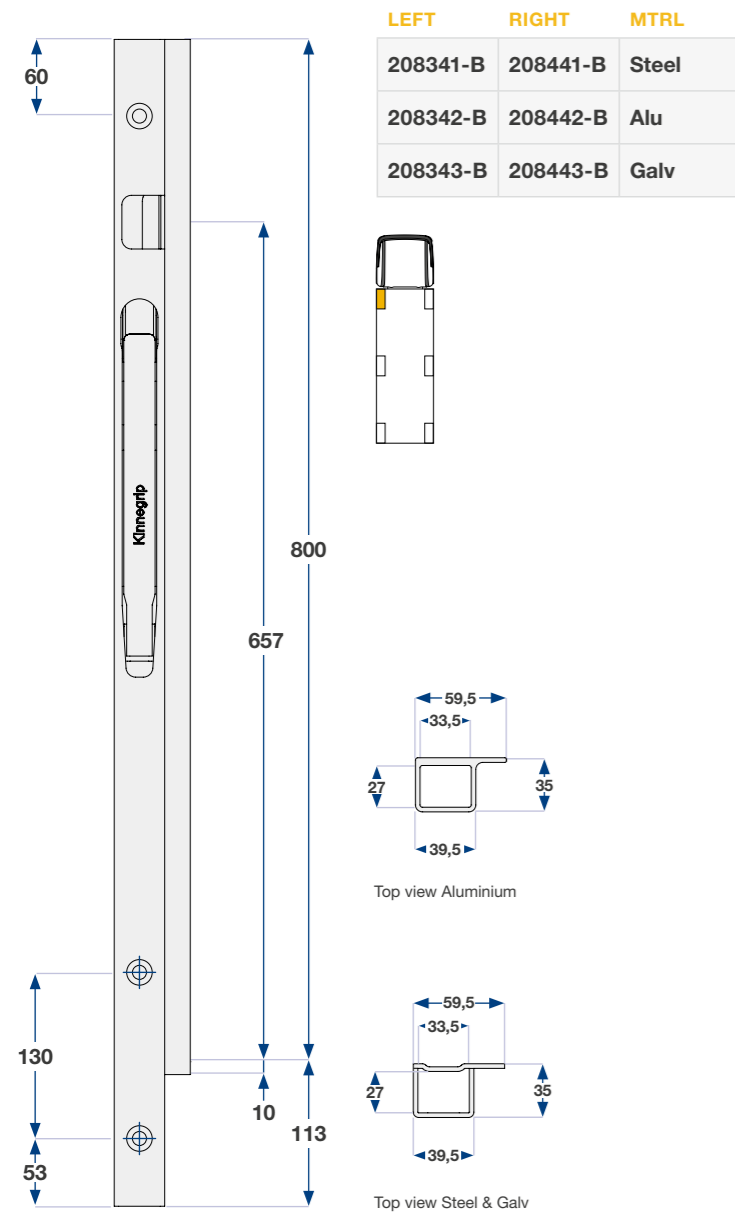
REAR PILLAR 800 MM BBE



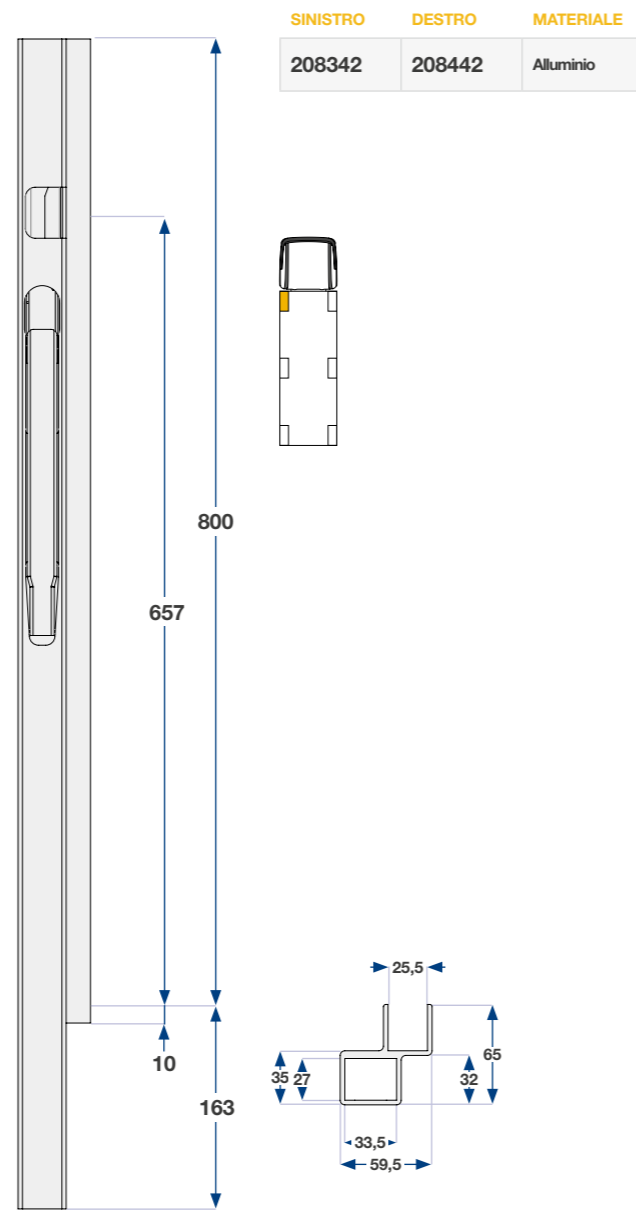
REAR PILLAR 800 MM BBD



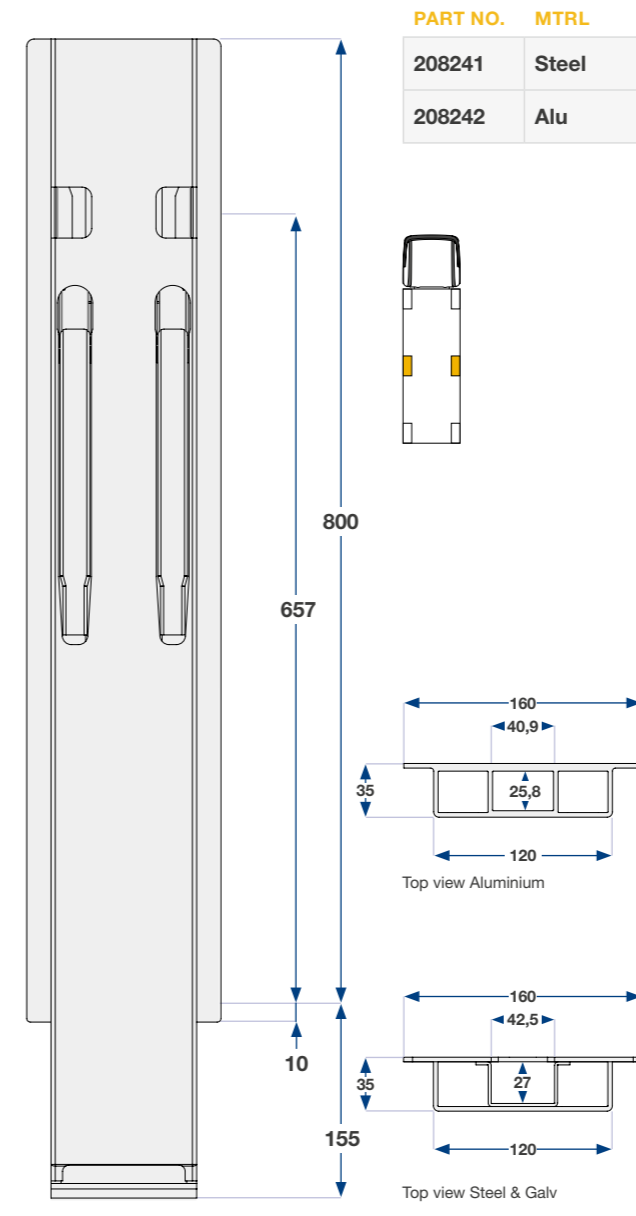
FRONT PILLAR 800 MM SCREWABLE TIR



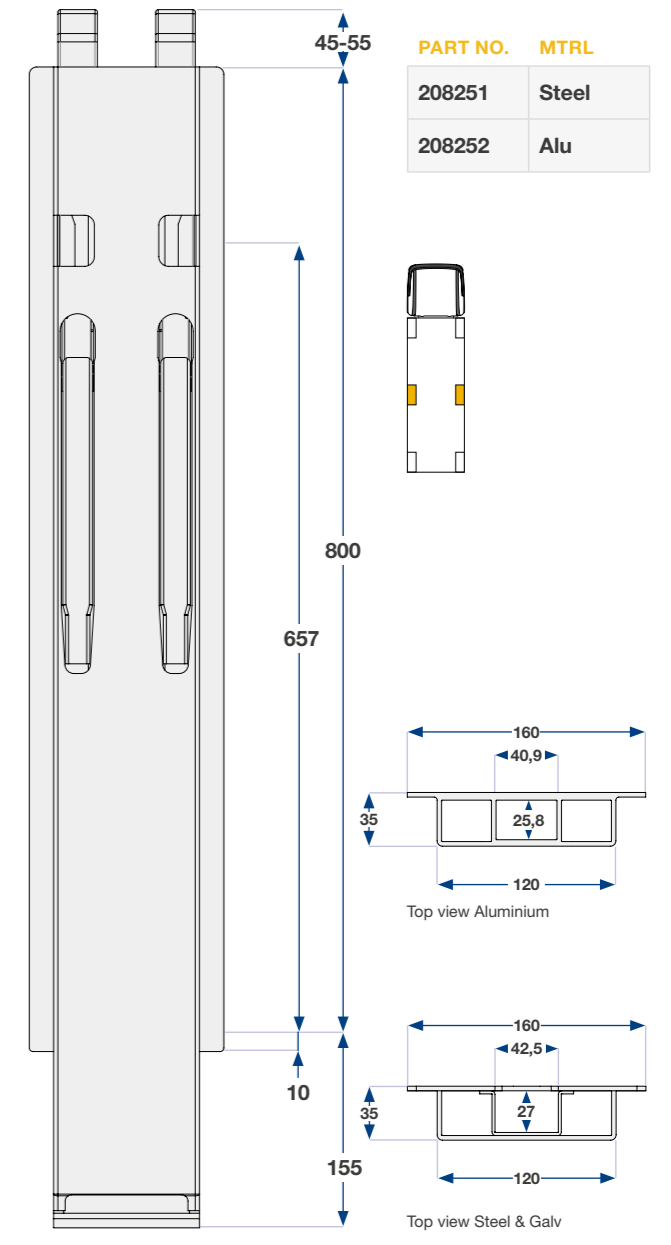
FRONT PILLAR 800 MM TIR



SIDE PILLAR 800 MM TIR

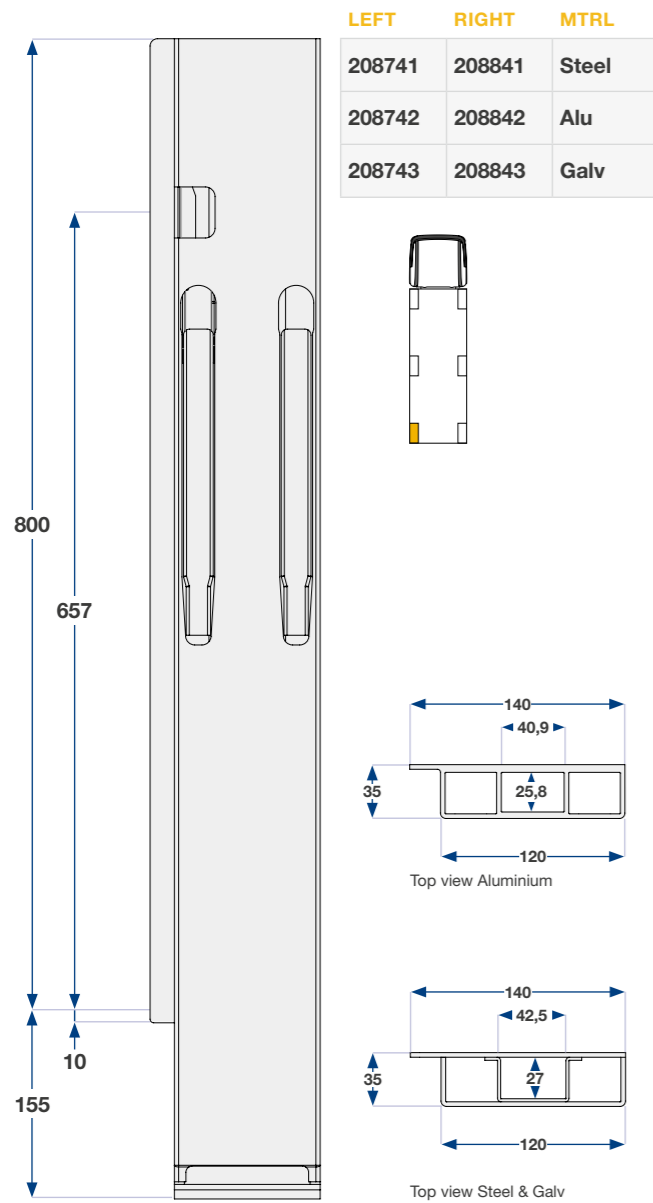


SIDE PILLAR 800 MM KINNETOP TIR

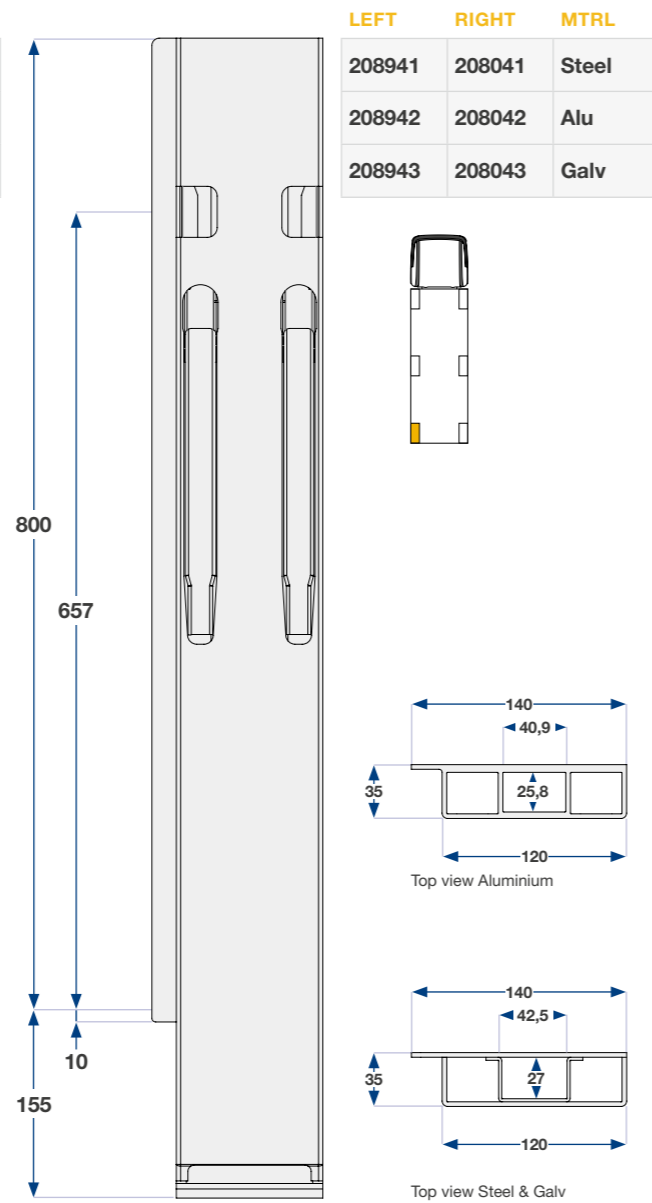


REAR PILLAR 800 MM BBE TIR

REAR PILLAR 800 MM BBD TIR



LEFT	RIGHT	MTRL
208741	208841	Steel
208742	208842	Alu
208743	208843	Galv



LEFT	RIGHT	MTRL
208941	208041	Steel
208942	208042	Alu
208943	208043	Galv

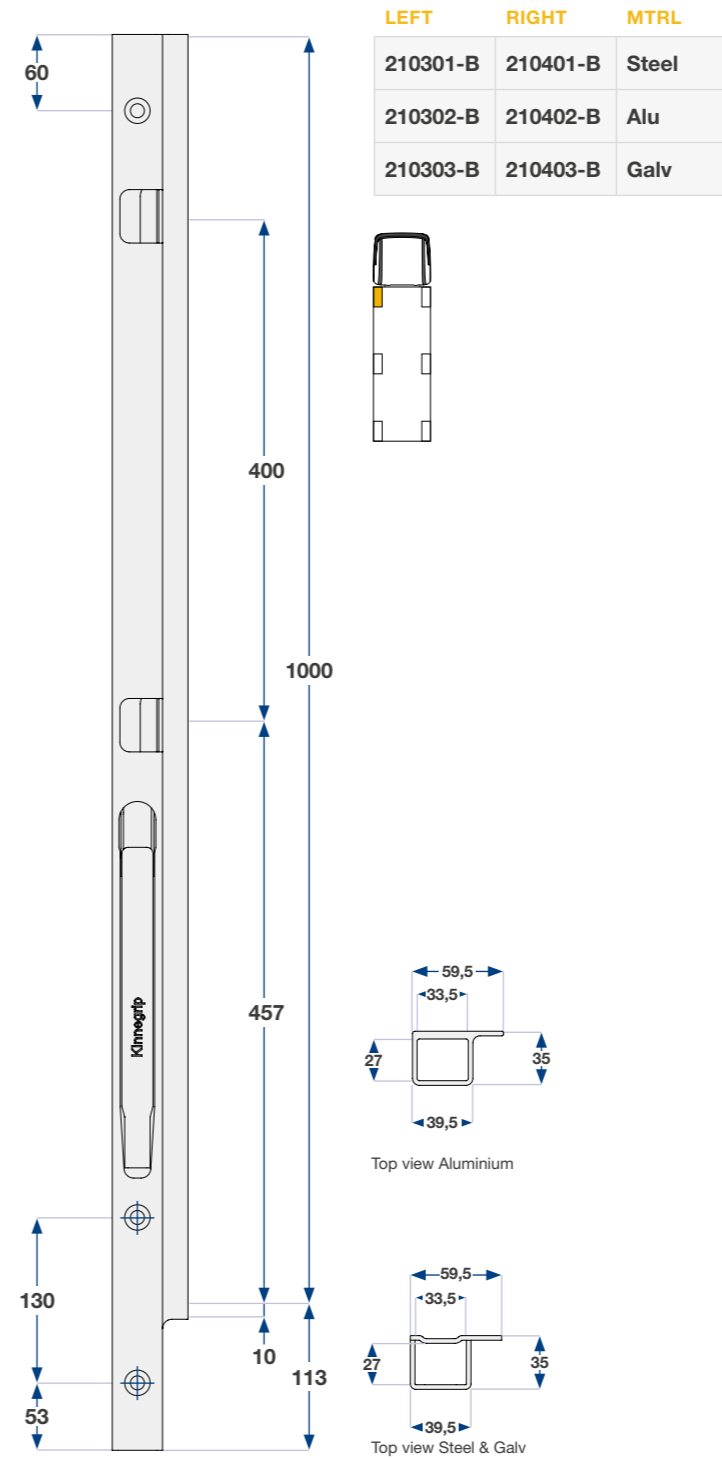


1000 mm

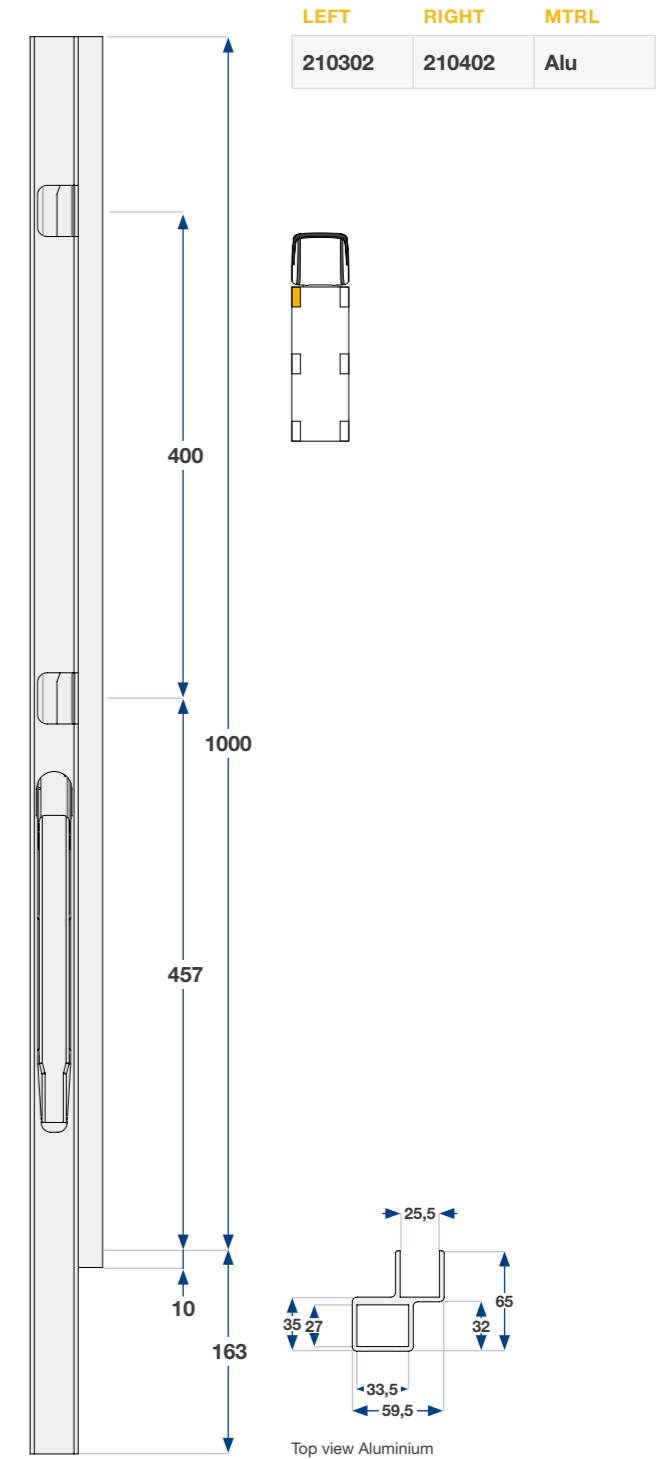
PART NO. STEEL	ALU	GALV	DESCRIPTION	WEIGHT STEEL/GALV	WEIGHT ALU
210301-B	210302-B	210303-B	K20 Front pillar 1000 Screwable left	4,00 kg	3,20 kg
210401-B	210402-B	210403-B	K20 Front pillar 1000 Screwable right	4,90 kg	3,20 kg
	210302		K20 Front pillar 1000 left Aluminium		3,20 kg
	210402		K20 Front pillar 1000 right Aluminium		3,20 kg
210201	210202	210203	K20 Side pillar 1000	13,60 kg	7,50 kg
210231	210232	210233	K20 Side pillar 1000 Kinnetop	13,80 kg	7,60 kg
210701	210702	210703	K20 Rear pillar 1000 BBE left	13,40 kg	7,40 kg
210801	210802	210803	K20 Rear pillar 1000 BBE right	13,40 kg	7,40 kg
210901	210902	210903	K20 Rear pillar 1000 BBD left	13,40 kg	7,40 kg
210001	210002	210003	K20 Rear pillar 1000 BBD right	13,40 kg	7,40 kg

All dropside locks are shown in the left version. BBE wide rear single port. BBD wide rear double port. Hot dip galvanized according to ZINQ method. Customization on request. Chain attachment is standard on side pillar in steel version for 800-1200 mm. For more info see page 34.

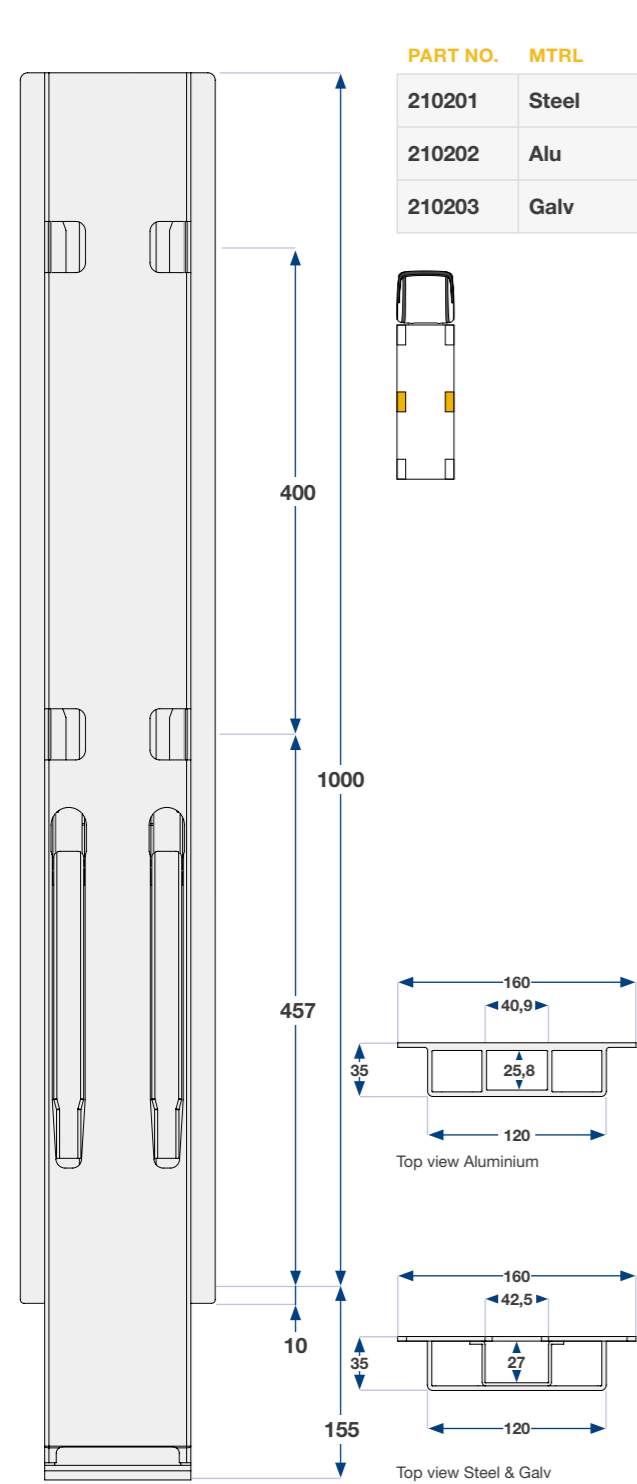
FRONT PILLAR 1000 MM SCREWABLE



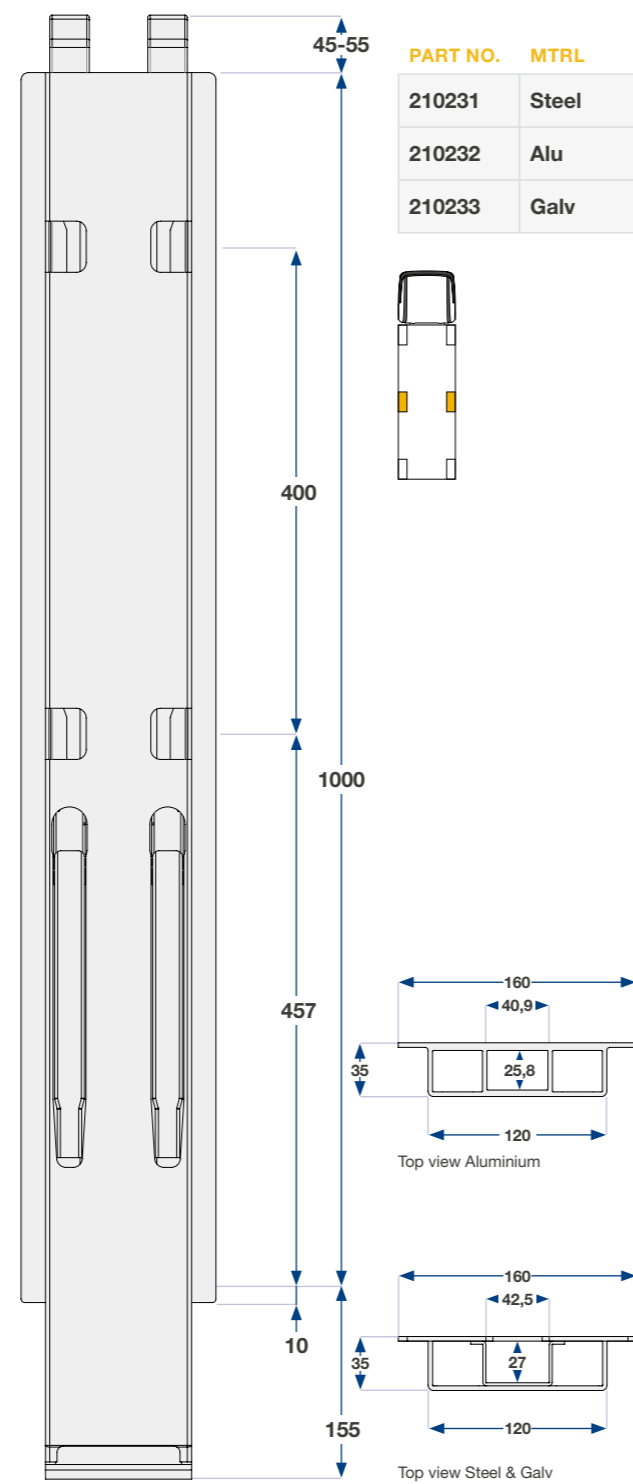
FRONT PILLAR 1000 MM



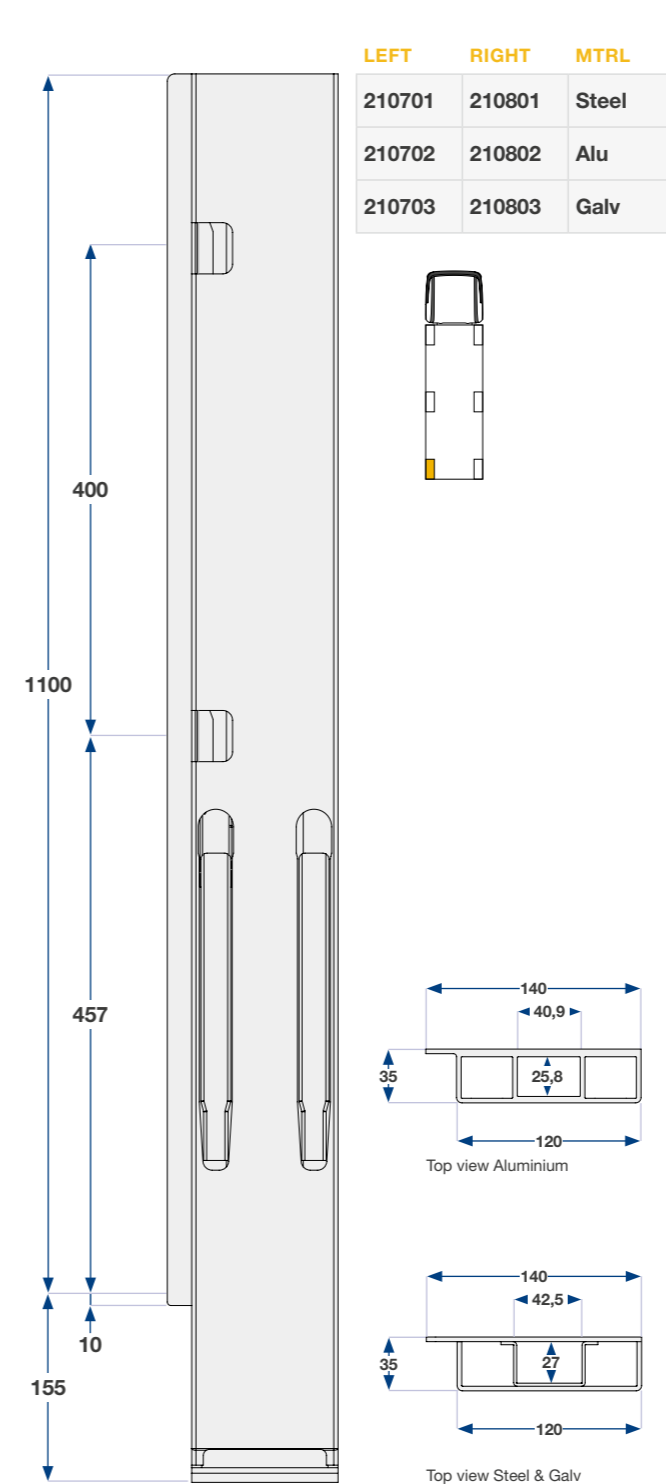
SIDE PILLAR 1000 MM



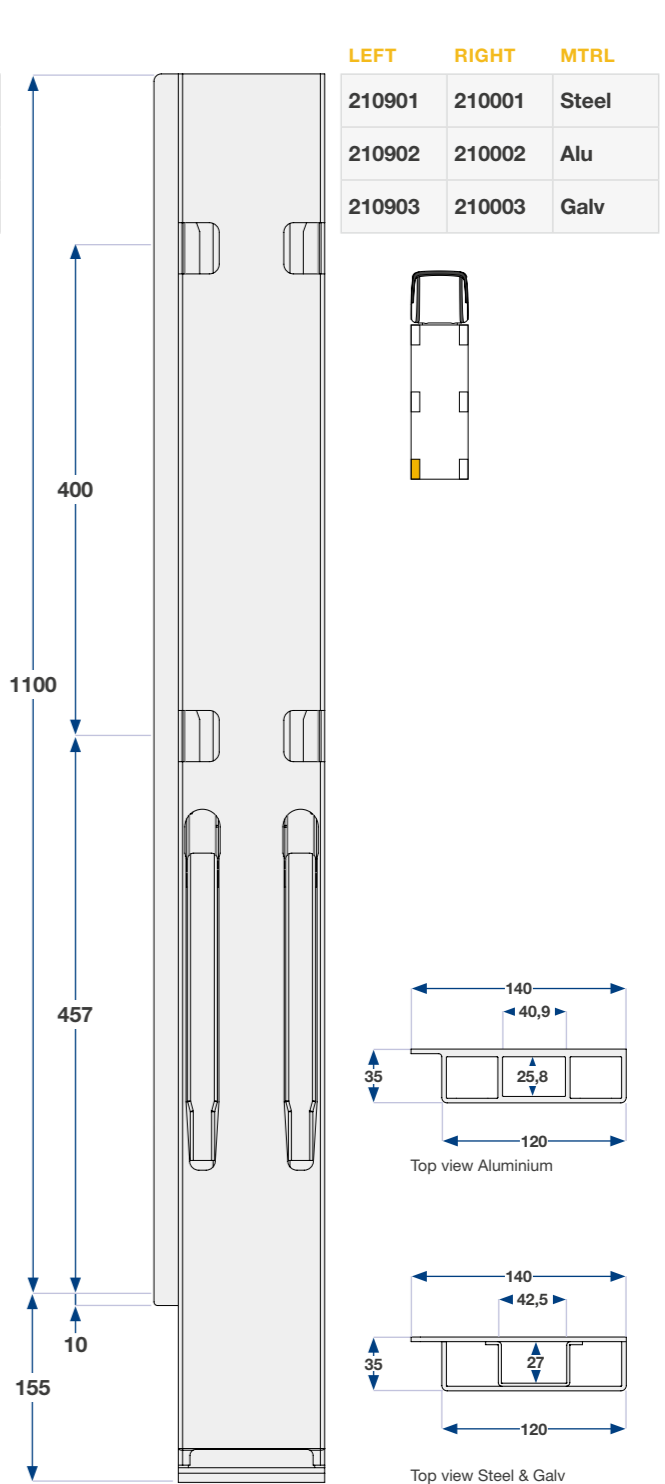
SIDE PILLAR 1000 MM KINNETOP



REAR PILLAR 1000 MM BBE



REAR PILLAR 1000 MM BBD

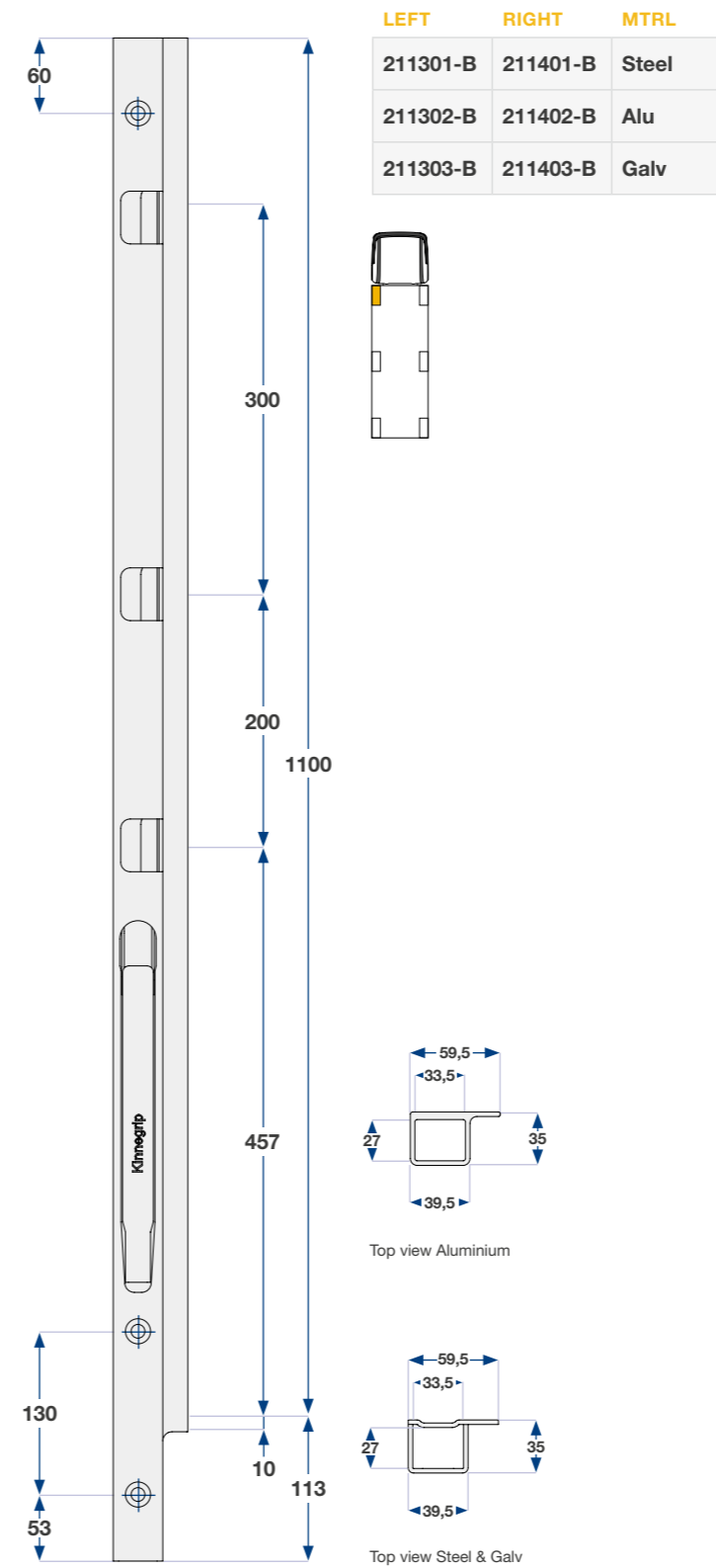


1100 mm

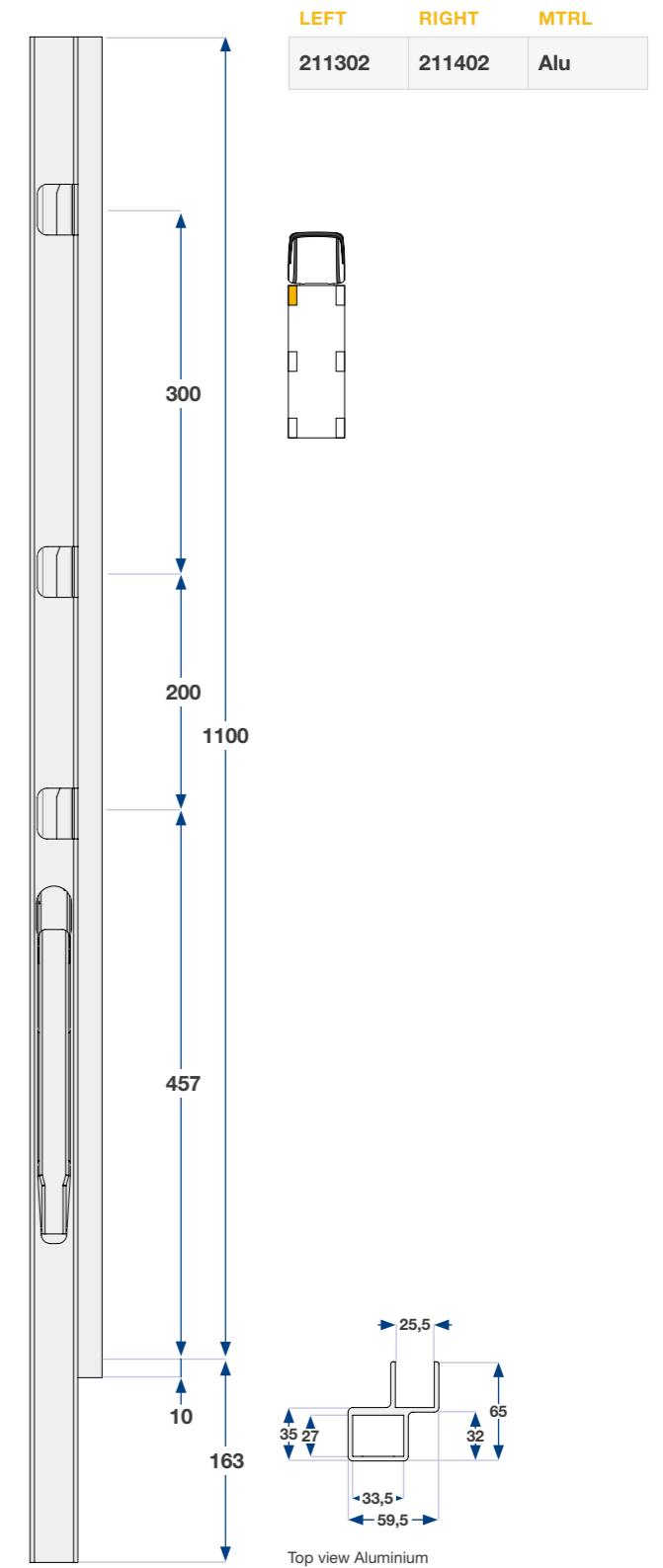
PART NO.	MATERIAL		DESCRIPTION	WEIGHT STEEL/GALV	WEIGHT ALU
	STEEL	ALU			
211301-B	211302-B	211303-B	K20 Front pillar 1100 Screwable left	5,30 kg	3,50 kg
211401-B	211402-B	211403-B	K20 Front pillar 1100 Screwable right	5,30 kg	3,50 kg
	211302		K20 Front pillar 1100 left Aluminium		3,50 kg
	211402		K20 Front pillar 1100 right Aluminium		3,50 kg
211201	211202	211203	K20 Side pillar 1100	14,60 kg	8,00 kg
211231	211232	211233	K20 Side pillar 1100 Kinnetop	14,80 kg	8,10 kg
211701	211702	211703	K20 Rear pillar 1100 BBE left	14,40 kg	7,90 kg
211801	211802	211803	K20 Rear pillar 1100 BBE right	14,40 kg	7,90 kg
211901	211902	211903	K20 Rear pillar 1100 BBD left	14,40 kg	7,90 kg
211001	211002	211003	K20 Rear pillar 1100 BBD right	14,40 kg	7,90 kg

All dropside locks are shown in the left version. BBE wide rear single port. BBD wide rear double port. Hot dip galvanized according to ZINQ method. Customization on request. Chain attachment is standard on side pillar in steel version for 800-1200 mm. For more info see page 34.

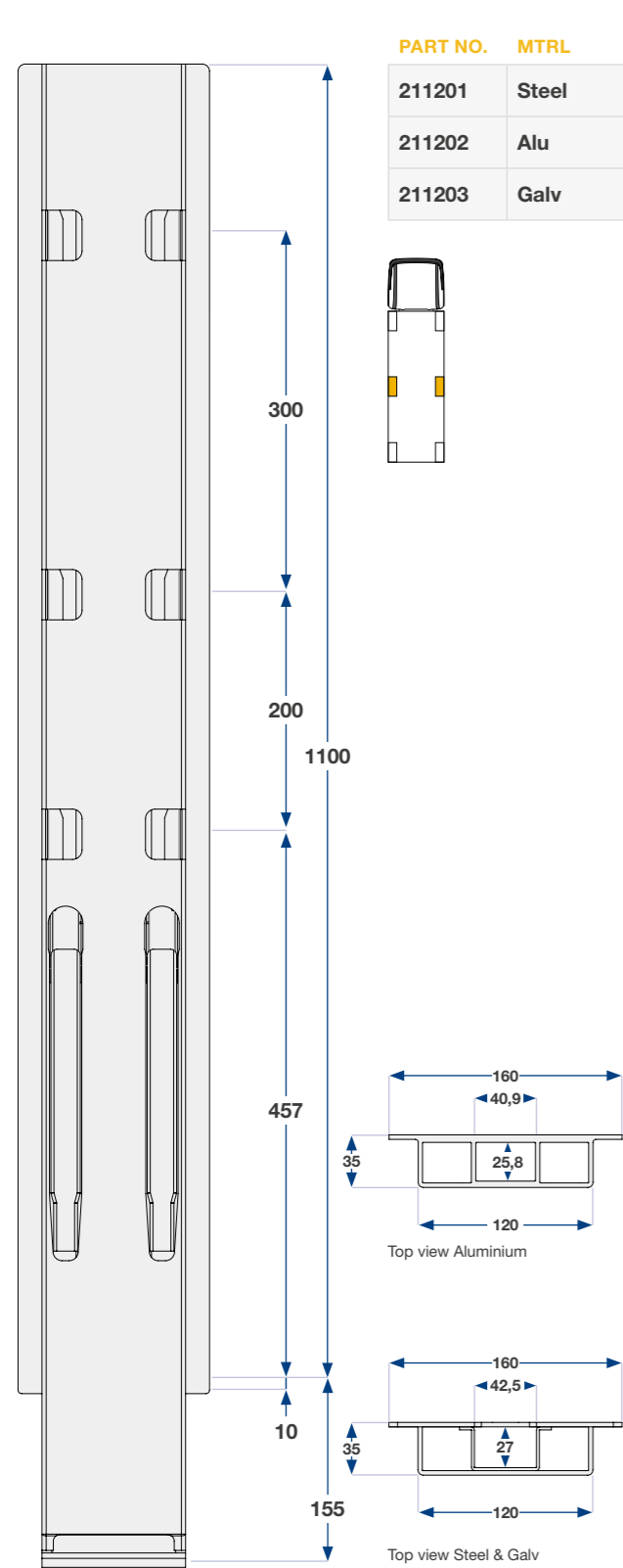
FRONT PILLAR 1100 MM SCREWABLE



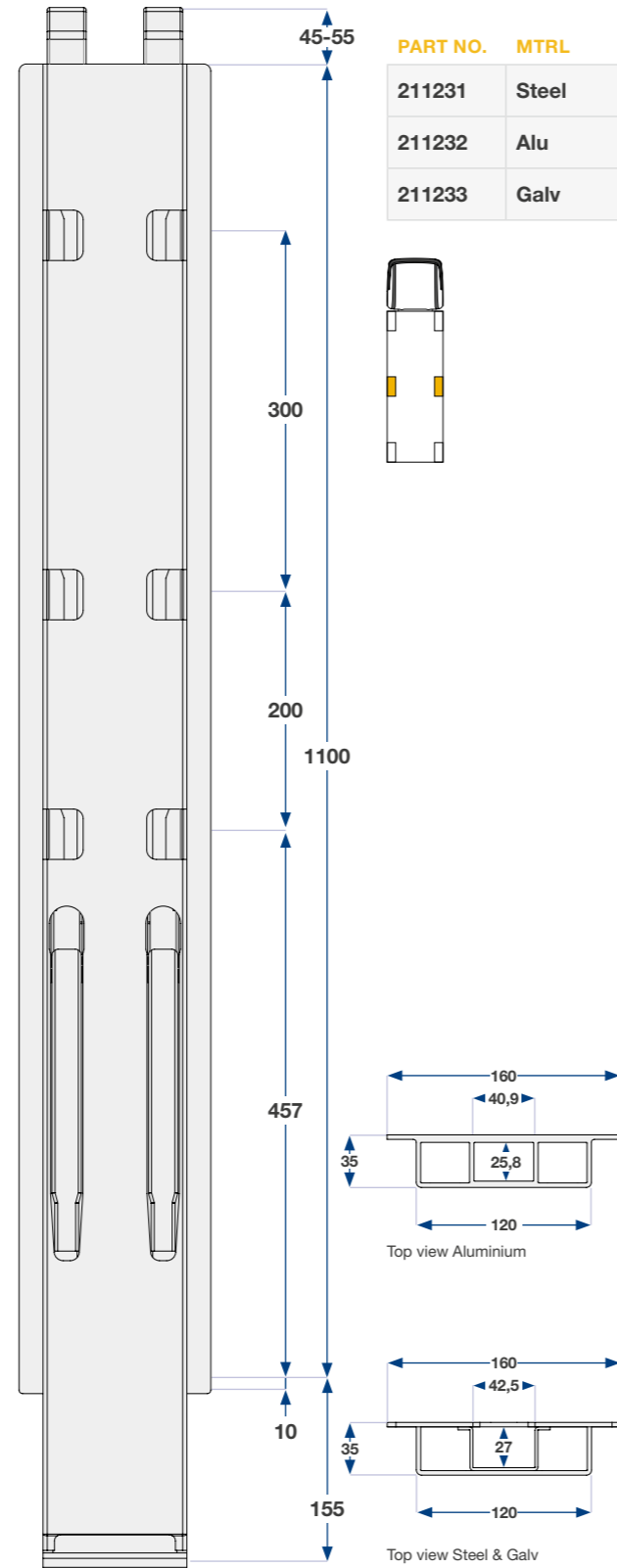
FRONT PILLAR 1100 MM



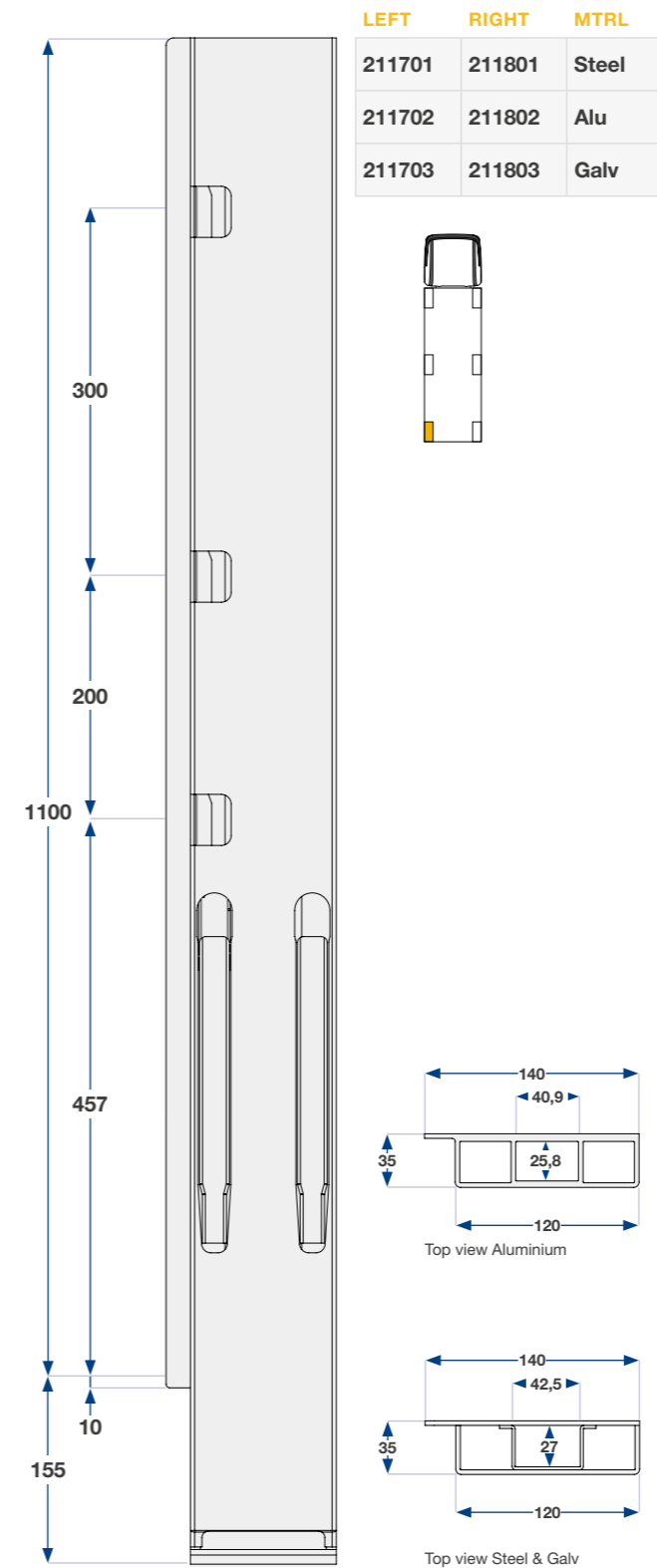
SIDE PILLAR 1100 MM



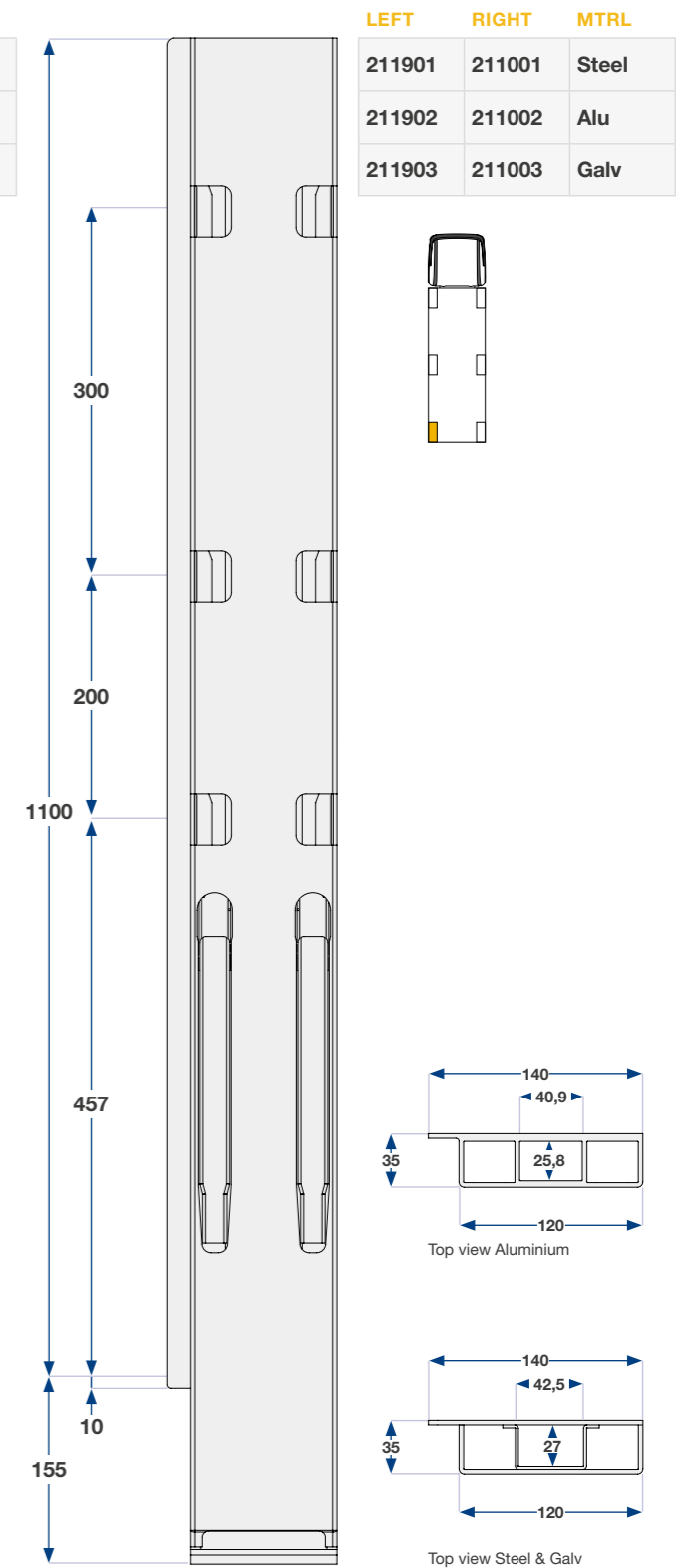
SIDE PILLAR 1100 MM KINNETOP



REAR PILLAR 1100 MM BBE



REAR PILLAR 1100 MM BBD

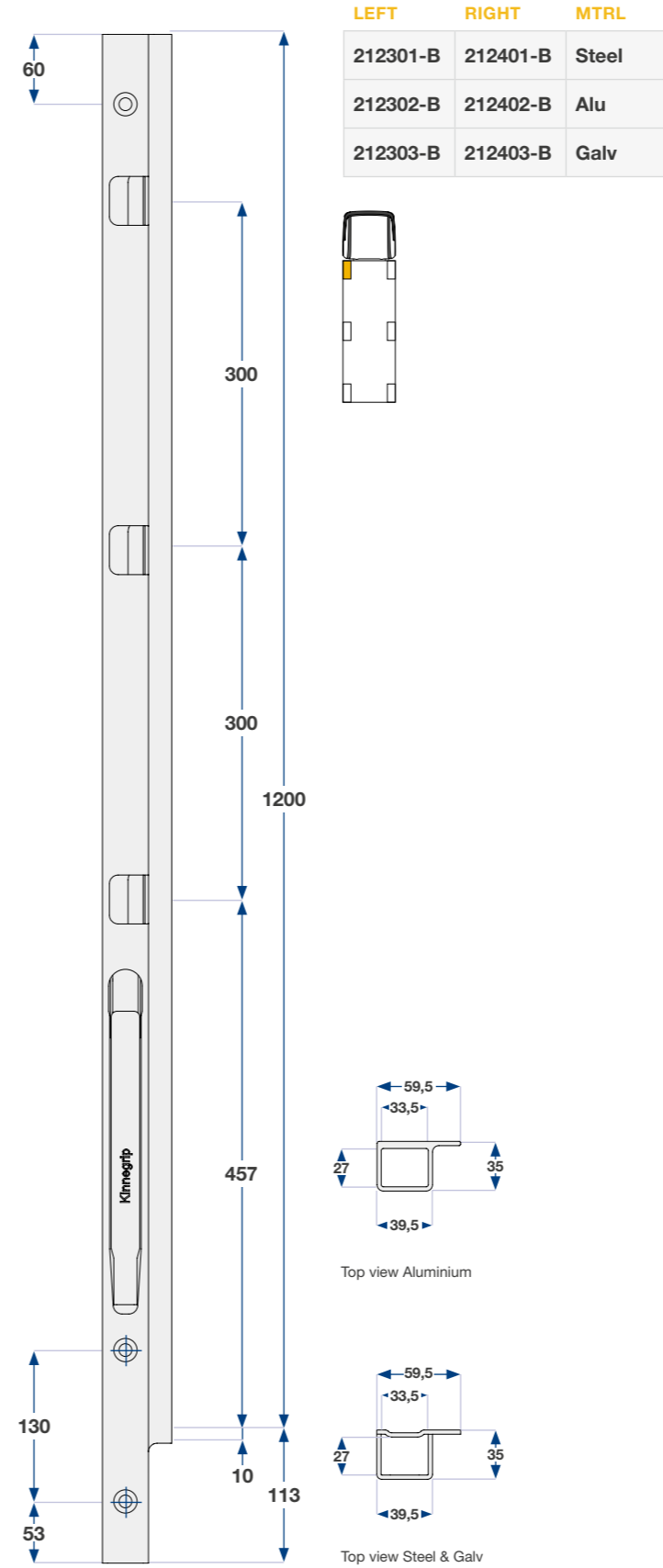


1200 mm

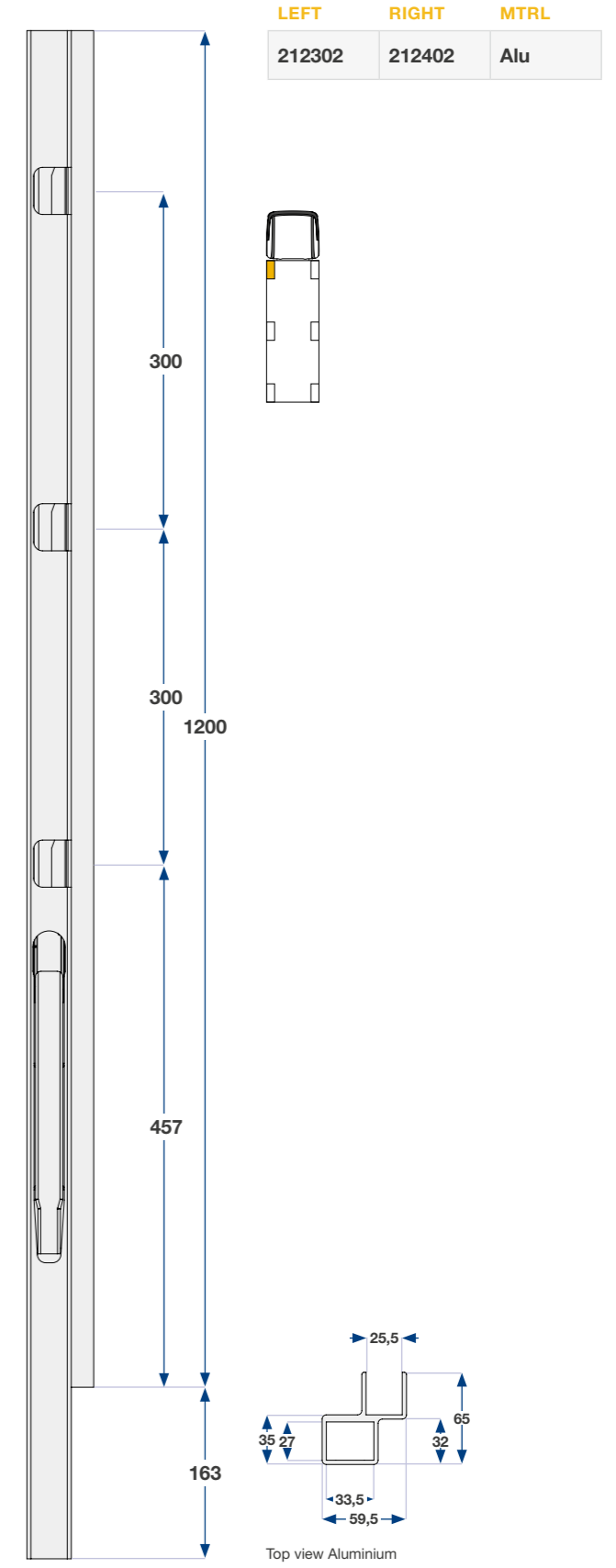
PART NO.	STEEL		DESCRIPTION	WEIGHT STEEL/GALV	WEIGHT ALU
	ALU	GALV			
212301-B	212302-B	212303-B	K20 Front pillar 1200 Screwable left	5.70 kg	3,80 kg
212401-B	212402-B	212403-B	K20 Front pillar 1200 Screwable right	5.70 kg	3,80 kg
	212302		K20 Front pillar 1200 left Aluminium		3,80 kg
	212402		K20 Front pillar 1200 right Aluminium		3,80 kg
212201	212202	212203	K20 Side pillar 1200	16,80 kg	8,50 kg
212231	212232	212233	K20 Side pillar 1200 Kinnetop	17,00 kg	8,60 kg
212701	212702	212703	K20 Rear pillar 1200 BBE left	16,60 kg	8,40 kg
212801	212802	212803	K20 Rear pillar 1200 BBE right	16,60 kg	8,40 kg
212901	212902	212903	K20 Rear pillar 1200 BBD left	16,60 kg	8,40 kg
212001	212002	212003	K20 Rear pillar 1100 BBD right	16,60 kg	8,40 kg

All dropside locks are shown in the left version. BBE wide rear single port. BBD wide rear double port. Hot dip galvanized according to ZINQ method. Customization on request. Chain attachment is standard on side pillar in steel version for 800-1200 mm. For more info see page 34.

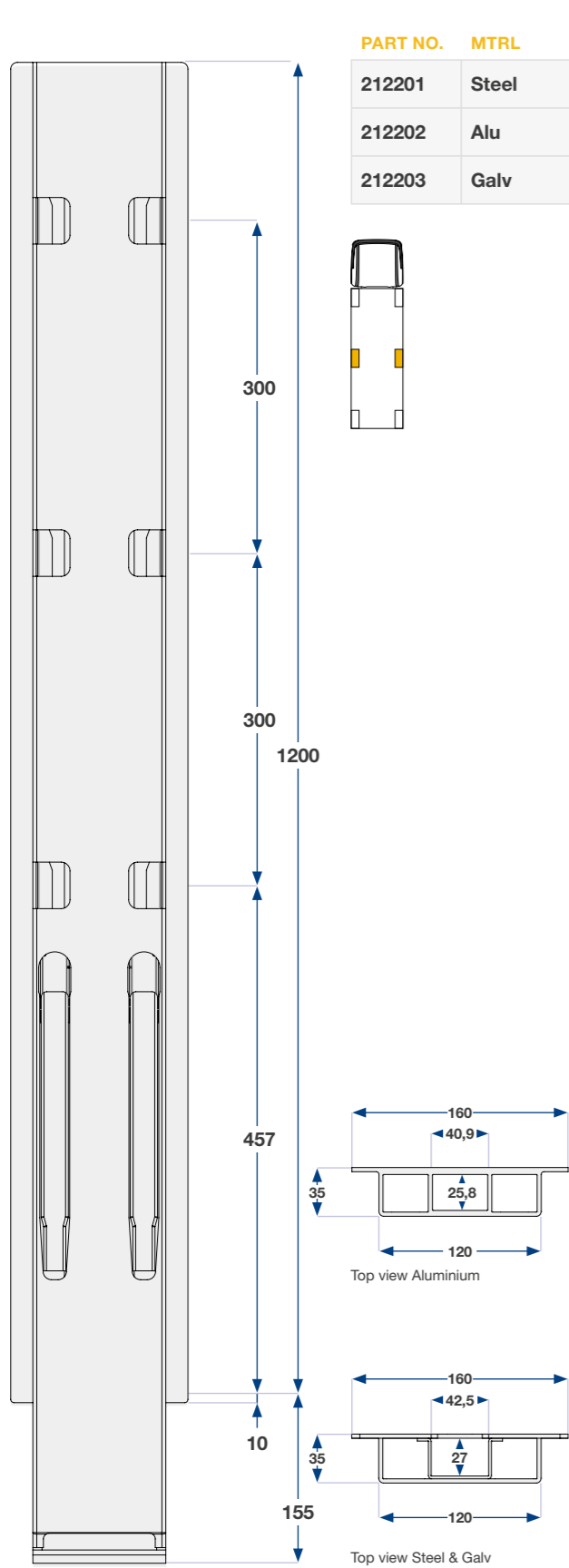
FRONT PILLAR 1200 MM SCREWABLE



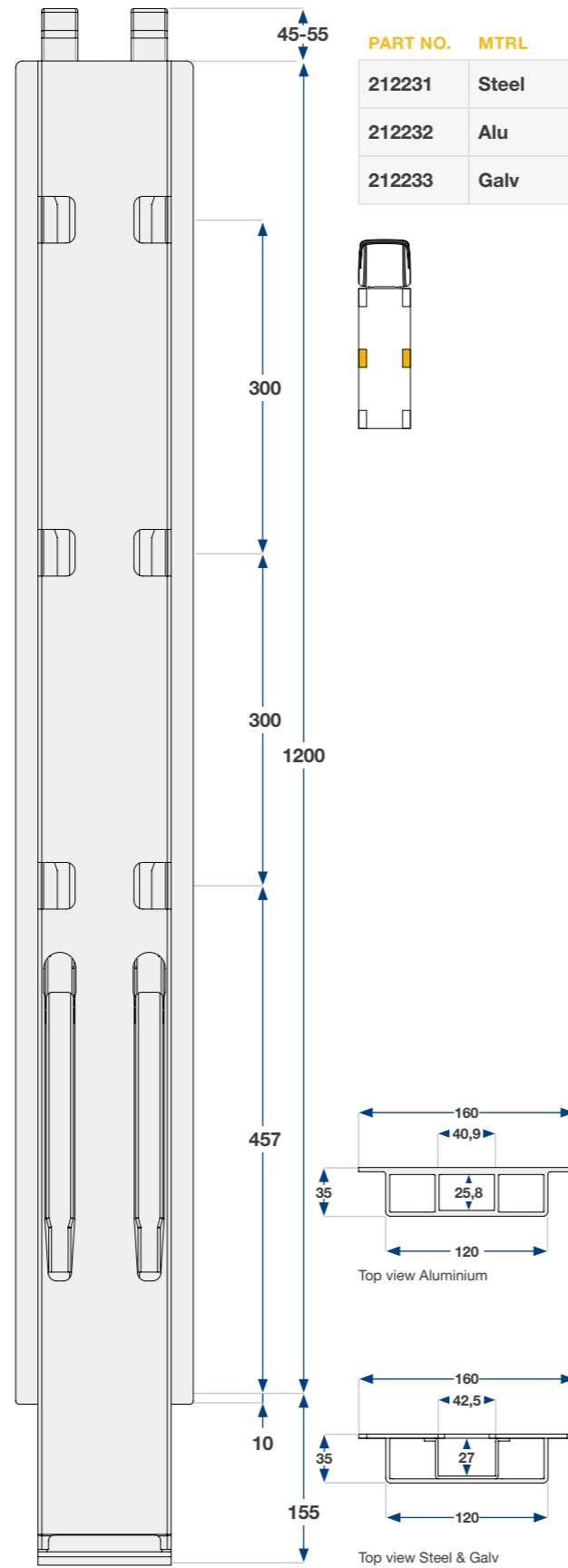
FRONT PILLAR 1200 MM



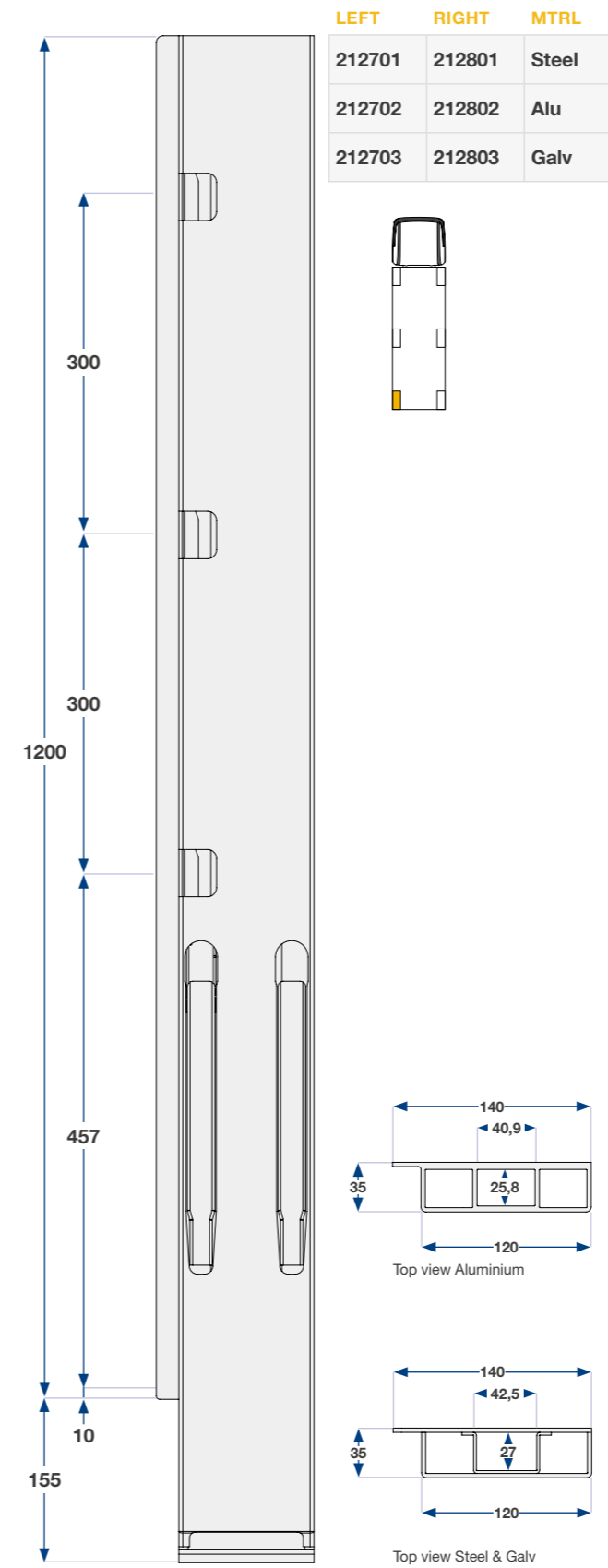
SIDE PILLAR 1200 MM



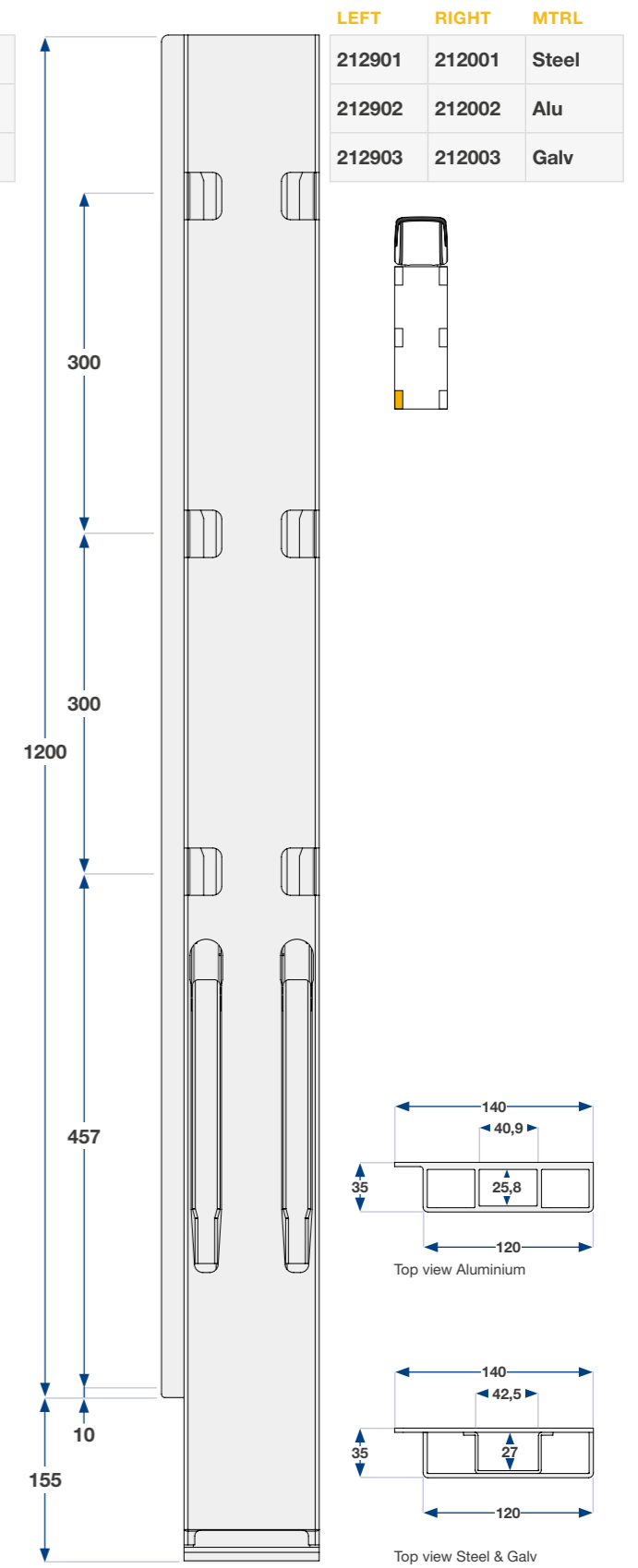
SIDE PILLAR 1200 MM KINNETOP



REAR PILLAR 1200 MM BBE



REAR PILLAR 1200 MM BBD

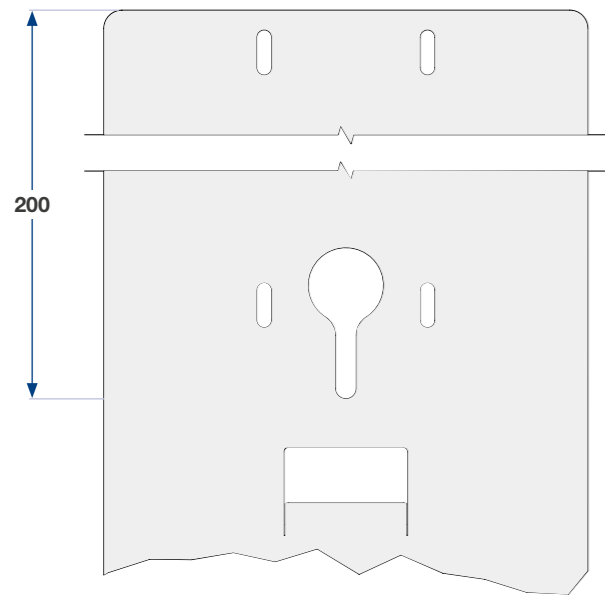


Chain attachment

Chain attachment is standard on side pillar in steel version for 800-1200 mm.

K20 Aluminium
Chain attachment kit in surface-treated steel, can be added as an accessory for the side pillar in Aluminium.

- 208202-KF
- 210202-KF
- 211202-KF
- 212202-KF



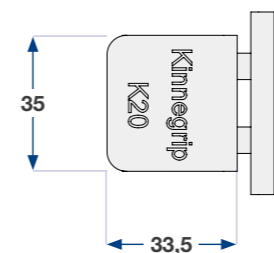
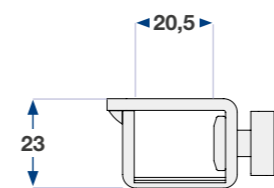
Accessories

Dropside catch

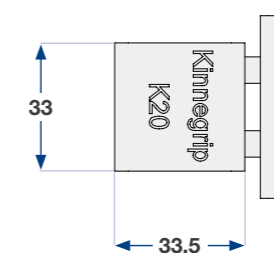
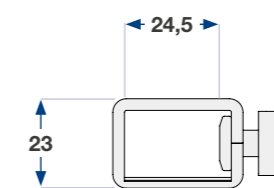
PART NO.	DESCRIPTION
012161-02	K20 Dropside kit catch 0-8 mm
012161-05	K20 Dropside kit catch 0-8 mm Fe/Zn8/P1/T2
012174-02	K20 Dropside catch rear pillar Fe/Zn5
012174-05	K20 Dropside catch rear Fe/Zn8/P1/T2
012276-02	K20 Dropside catch kit 0-12 mm
012276-05	K20 Dropside catch kit 0-12 mm Fe/Zn8/P1/T2
032022	K20 Dropside catch 0-8 mm for weldable untreated
032022-02	K20 Dropside catch 0-8 mm
032022-05	K20 Dropside catch 0-8 mm Fe/Zn8/P1/T2



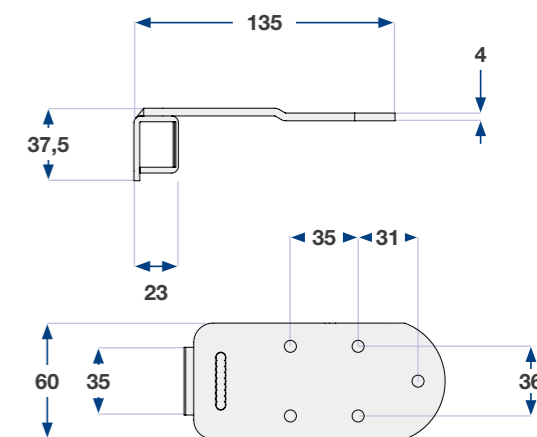
Dimensions drawings dropside catch



Catch kit 0-8 mm
012161, scale 1:2



Catch kit 0-12 mm
012276, scale 1:2

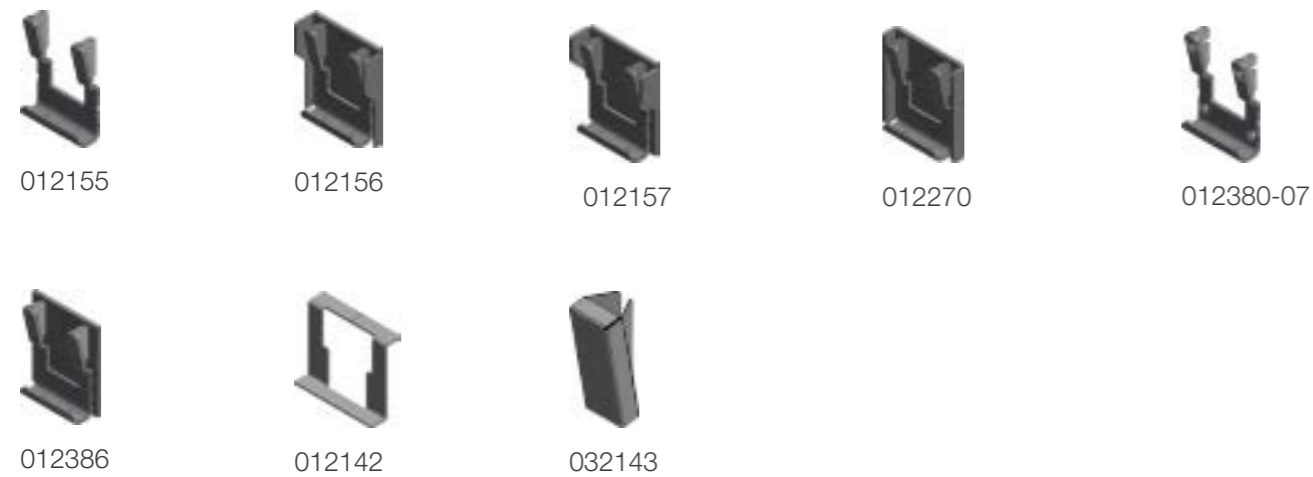


Dropside catch rear pillar
012174, scale 1:4

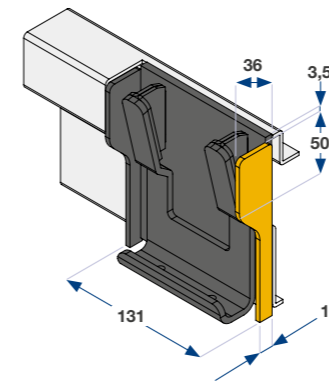
K20 DROPSIDE LOCK

Support

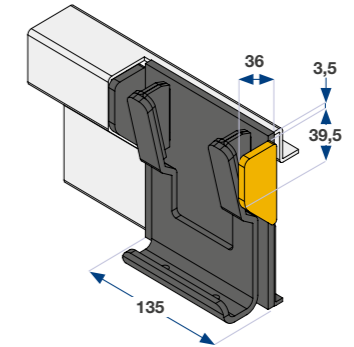
PART NO.	DESCRIPTION
012155	K20 pillar Support exterior untreated
012156	K20 Support long side weldable untreated
012157	K20 Support short side weldable untreated
012270	K20 Support for recessed mounting
012380-07	K20 Support screwable on Fe/Zn8/P5/T2
012386	K20 Support on plate for recessed assembly
012142	K20 Welding fixture pillar
012235	K20 Support Kit, welding fixture (012142) and welding cover (2*032143)
032143	K20 Welding cover



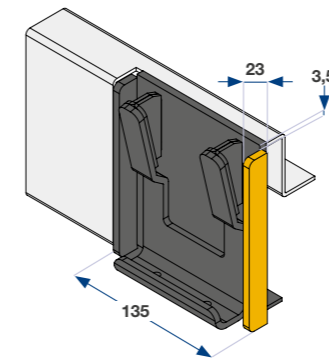
Dimensions drawings support



Type LS
012156, scale 1:3



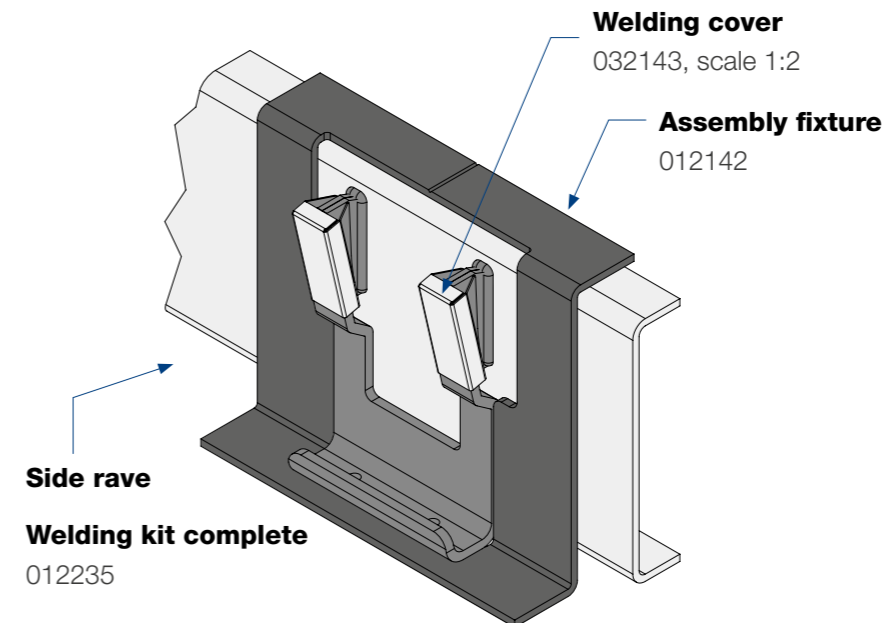
Type KS
012157, scale 1:3



Type RS
012270, scale 1:3

Fitting recommendations for support

Important! The pillar support must be securely fixed and tight up against the side rave when welding.



K20 DROPSIDE LOCK

Top cover

PART NO.	DESCRIPTION
012492	K20 Plastic plug front pillar screwable on
032164	K20 Top cover front pillar
032165	K20 Top cover side/rear pillar



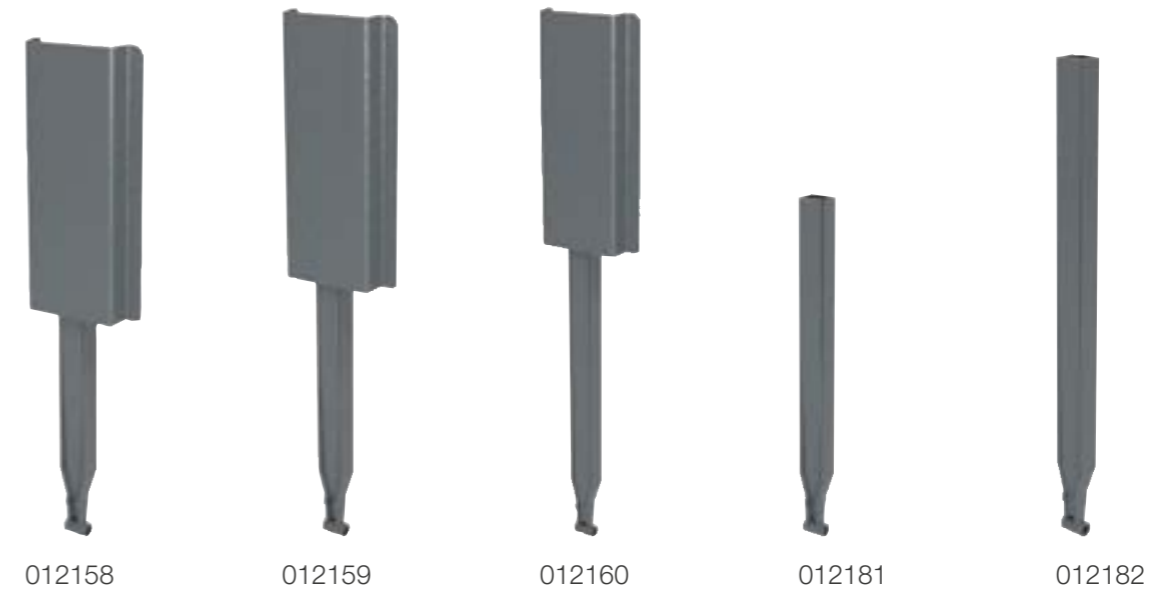
Aluminium profile

PART NO.	DESCRIPTION
032239	K20 Edge protection rear dropside 25 mm
032144	K20 Rubber strip
032145	K20 Edge protection side dropside 25 mm - 1 m

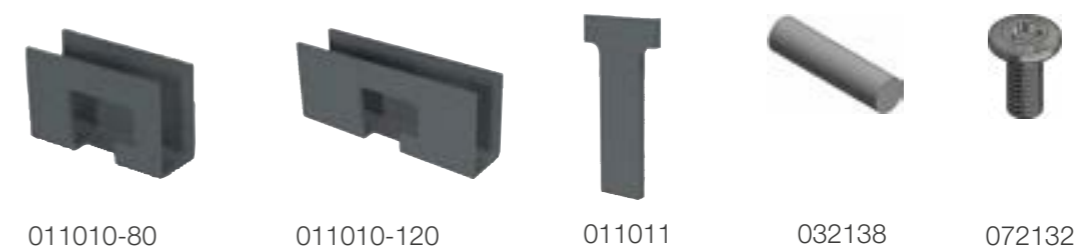


Kinnetop Extension

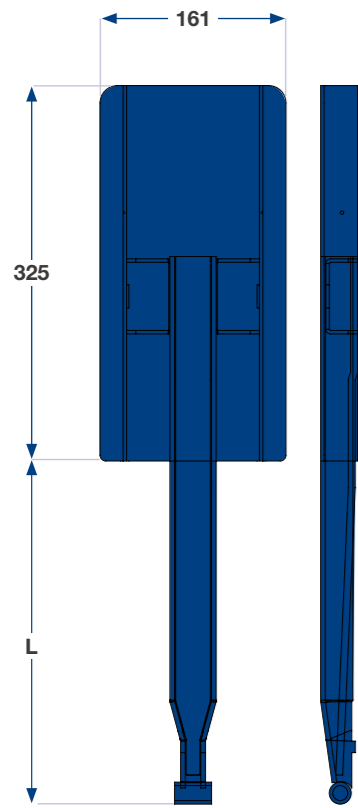
PART NO.	DESCRIPTION
012158	K20 Kinnetop Extension with top profile 500 mm
012159	K20 Kinnetop Extension with top profile 600 mm
012160	K20 Kinnetop Extension with top profile 800-1200 mm
012181	K20 Kinnetop Extension without top profile 500-600 mm
012182	K20 Kinnetop Extension without top profile 800-1200 mm



PART NO.	DESCRIPTION
011010-80	K20 Top coupling box Kinnetop 80 mm
011010-120	K20 Top coupling box Kinnetop 80 mm 120 mm
011011	K20 Top coupling T-bar Kinnetop 80 mm
032138	K20 Spring for Kinnetop
072132	Screw M8x16



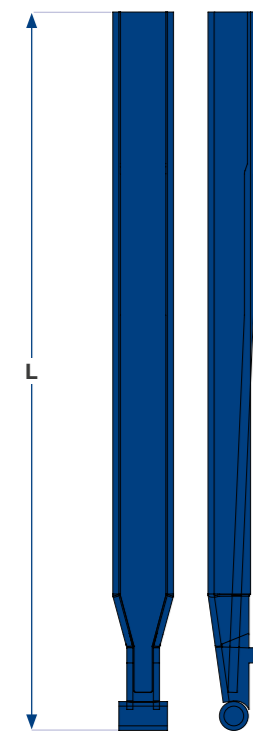
Kinnetop



Kinnetop Extension
Kinnetop Extension with top profile to extend the K20.

- 012158
- 012159
- 012160

L = 297 (K20 500)
347 (K20 600)
447 (K20 800-1200)



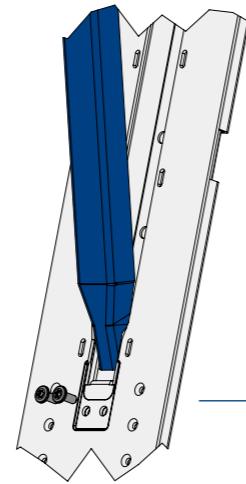
Kinnetop Extension
Kinnetop Extension without top profile to extend the K20.

- 012181
- 012182

L = 474 (K20 500-600)
574 (K20 800-1200)

Axel 10x40
Axel enables a hanging pillar

032138

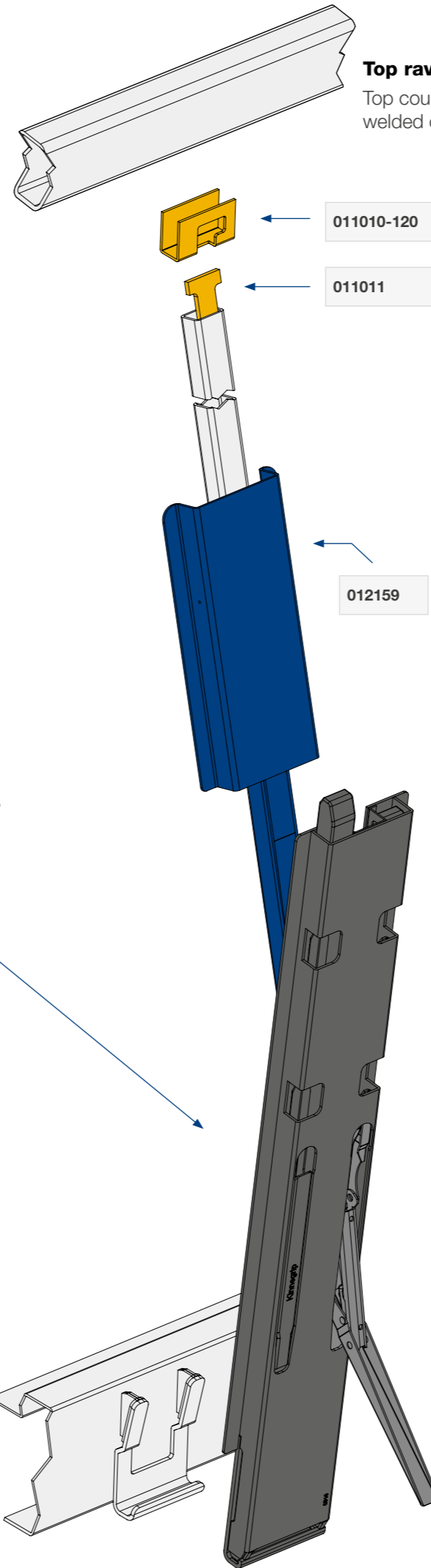
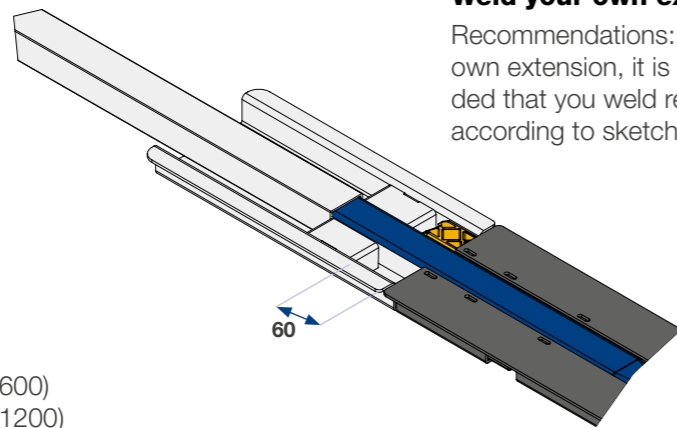


Screw M8x16

072132

Weld your own extension

Recommendations: If you use your own extension, it is recommended that you weld reinforcements according to sketch.



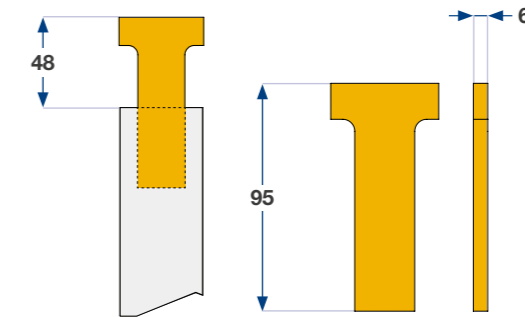
Top rave

Top coupling box to be welded onto the top rave.

011010-120

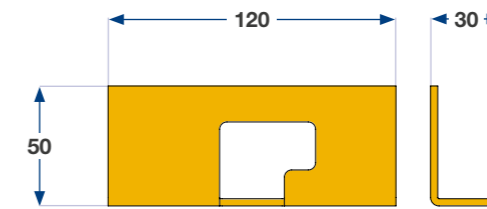
011011

012159



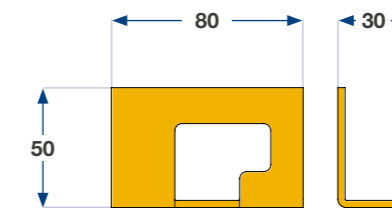
K20 Top coupling T-bar
Connection between box and extension

011011



Top coupling box
Connection between T-bar and top rave.

011010-120



Top coupling box
Connection between T-bar and top rave.

011010-80



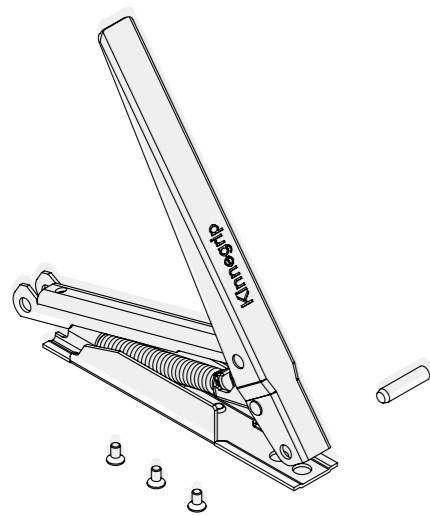
Spring 10x40

Axel enables a hanging pillar.

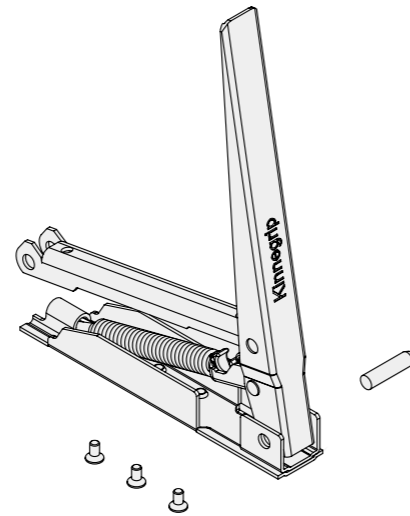
032138

Spare parts

PART NO.	DESCRIPTION
012250	K20 Replacement Handle complete kit side/rear pillar
012255	K20 Replacement Handle complete kit front pillar



012250



012255

Mechanism side and rear pillar

PART NO.	DESCRIPTION
042100-07	K20 Centre link 100 mm Fe/ZnFe8/P5/T2 600-1200 mm
042101-07	K20 Centre link 200 mm Fe/ZnFe8/P5/T2 1000-1200 mm
042102-07	K20 Centre link 300 mm Fe/ZnFe8/P5/T2 800 mm
042108H-01	K20 Rule rod right Fe/Zn5
042108V-01	K20 Rule rod left Fe/Zn5
042109H-01	K20 Rule rod right short Fe/Zn5
042109V-01	K20 Rule rod left short Fe/Zn5
042111H-01	K20 Rule rod rear pillar right Fe/Zn5
042111V-01	K20 Rule rod rear pillar left Fe/Zn5
042114	K20 Guide part Link small Polyamid 600-1200 mm
042117	K20 Guide part Rule rod large Polyamid 400-1200 mm
042118	K20 Kinnetop closing bar Polyamid
042139-07	K20 Spring 8X32
082152-07	K20 Wedge support kit, 400-1200mm

Mechanism side and rear pillar

Left mechanism

Right mechanism

Rule rod short
042109V-01

Guide part Rule rod large
042117

Spring
042139-07

Centre link
042101-07
042102-07

Guide part Link small
042114

Rule rod
042108V-01

Guide part Rule rod large
042117

Replacement Handle
012250

Rule rod short
042109H-01

Guide part Rule rod large
042117

Spring
042139-07

Centre link
042101-07
042102-07

Guide part Link small
042114

Rule rod
042108H-01

Guide part Rule rod large
042117

Replacement Handle
012250

Centre link
042100-07

Wedge support kit
082152-07

Centre link
042100-07

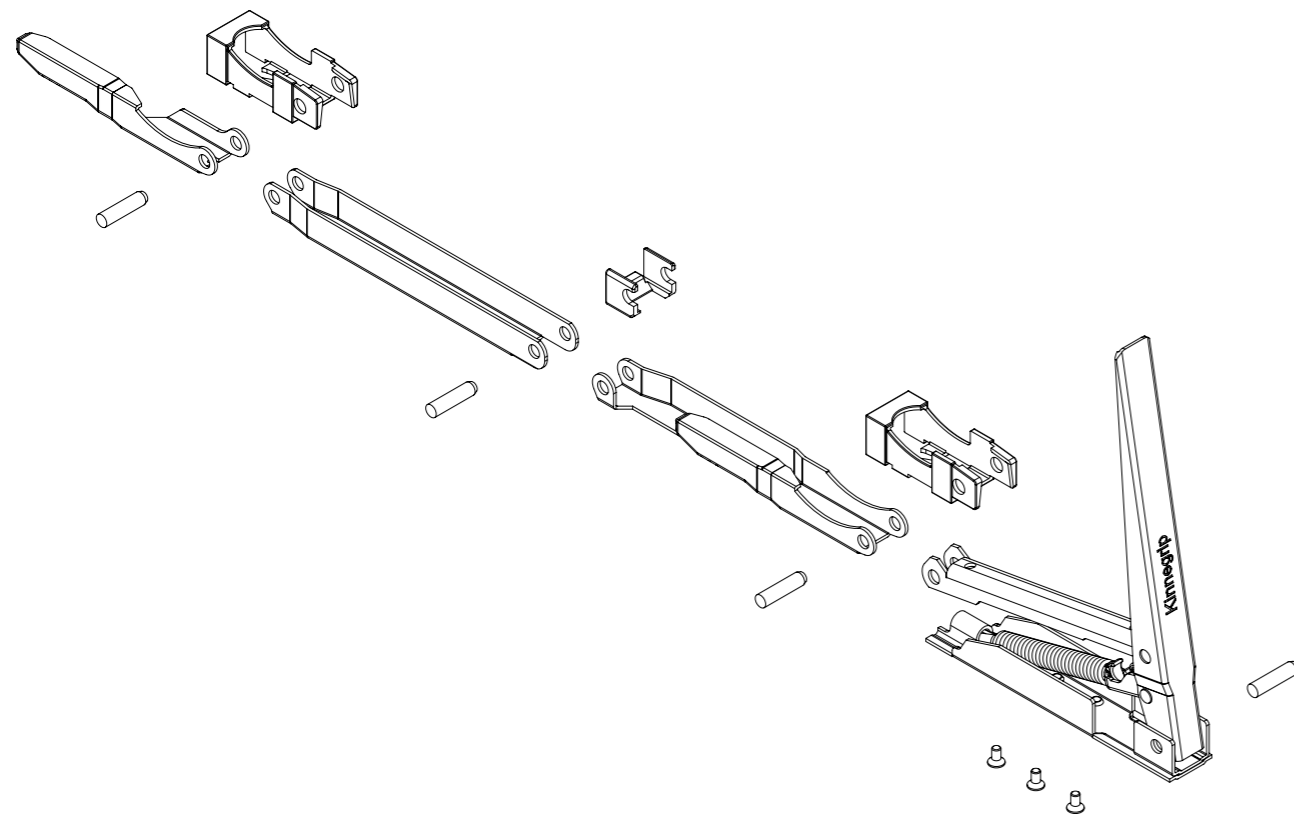
Wedge support kit
082152-07

K20 DROPSIDE LOCK

Mechanism Front pillar

PAHT NO.	DESCRIPTION
012271V	K20 Mechanism 204401-B - 208441-B
012271H	K20 Mechanism 204301-B - 208341-B
012272V	K20 Mechanism 208401-B
012272H	K20 Mechanism 208301-B
012273V	K20 Mechanism 210401-B
012273H	K20 Mechanism 210301-B
012274V	K20 Mechanism 211401-B
012274H	K20 Mechanism 211301-B
012275V	K20 Mechanism 212401-B
012275H	K20 Mechanism 212301-B

Mechanism Front pillar





Material

Product family K20 dropside locks	Strength/Certificate Certified to EN 12642 - DEKRA
Applications Locking system for dropside locks with dropside heights from 400 mm. For heavy vehicles.	Quality Kinnegrip is certified to ISO 9001:2015 ISO 140001:2015
Material <ul style="list-style-type: none"> • Steel (HSLA) • Steel (HSLA) - Hot dip galvanized • Aluminium 	Maintenance We recommend soap products with a pH of 6-8 to be used (do not use products containing chlorine). After cleaning, rinse surfaces with water. The mechanism and moving parts should be lubricated regularly.
Surface treatment The product is available in ED-coated finish, aluminium and hot-dip galvanized. Electrode coating gives good penetration into cavities and even layers and high finish. To obtain an optimal corrosion protection, ED coating must always be reinforced with subsequent powder coating. In a hot-dip galvanized version, a zinc-aluminium coating is applied to all surfaces, the mechanism is galvanized and the ED is then painted to achieve maximum corrosion protection. In aluminium design, the material is anodized and the mechanism is electroplated as well as ED-coated.	Environmental impact & recycling Kinnegrip AB is environmentally certified to ISO 14001. This means that we have control of our routines, conduct active environmental work and constantly strive to minimize our impact on the environment. Kinnegrip's products are manufactured exclusively from steel and aluminium, which means that they can be recycled completely. Of course, we choose materials based on IMDS*, a system that allows us to comply with international standards, laws and regulations.
<small>* IMDS (International Material Data System) is the automotive industry's material data system and has become a global standard used by nearly all global OEM manufacturers. IMDS collects all materials used for automotive production, maintenance, analysis and archiving. Using IMDS enables the producer to fulfil the obligations imposed on vehicle manufacturers, and thus on their suppliers, according to national and international standards, laws and regulations.</small>	



 Kinnegrip AB
Lindhagsgatan 6
531 40 Lidköping
SWEDEN

 +46 510 890 00
 info@kinnegrip.se



Find our products at our
local distribution partners

 kinnegrip.se



Kinnegrip.
SAFETY ON THE ROAD